



# REMOTE CONTROL



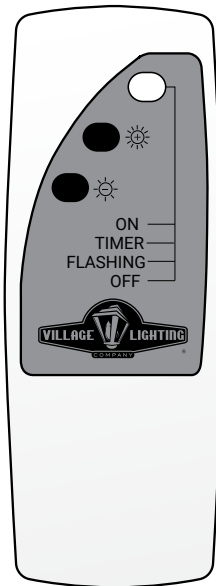
## NUN-CHUCK™ BATTERY PACK W/ REMOTE

### SELECT YOUR REMOTE CONTROL STYLE

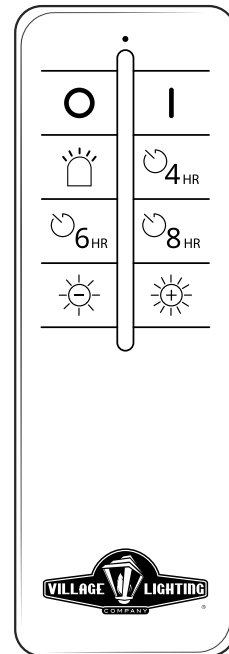
**STYLE #1**  
(Page 1)



**STYLE #2**  
(Page 2)



**STYLE #3**  
(Page 3)

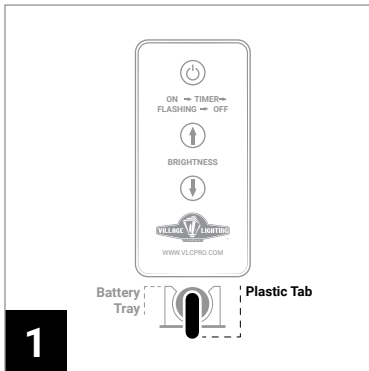
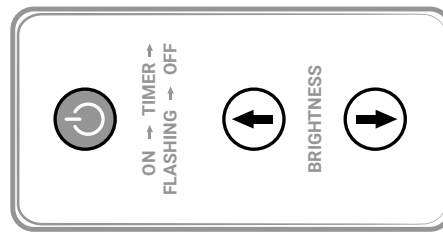


IMPORTANT, RETAIN FOR FUTURE REFERENCE: READ CAREFULLY

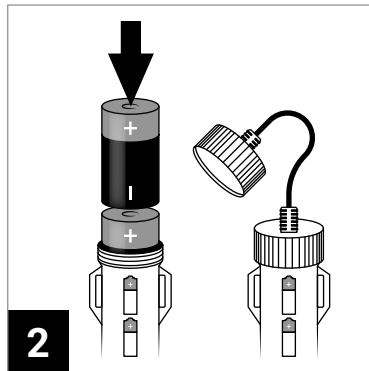
For assistance with assembly, replacement parts or to activate your warranty:  
[www.VillageLighting.com](http://www.VillageLighting.com) | [Support@VillageLighting.com](mailto:Support@VillageLighting.com)

# REMOTE CONTROL

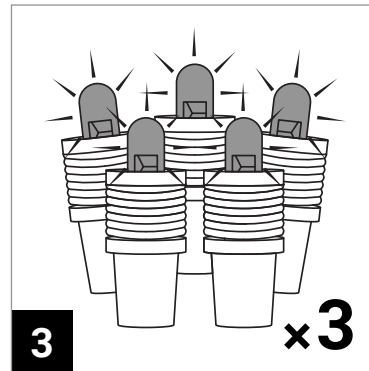
STYLE #1



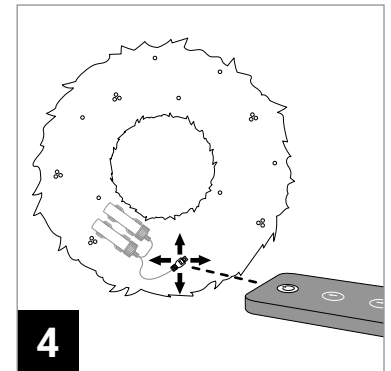
**1** Remove the plastic tab from the remote



**2** Add four new D size batteries to the battery pack



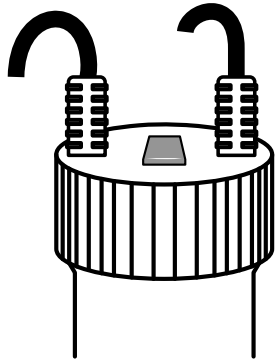
**3** Lights will flash three times once batteries are inserted



**4** Adjust sensor to be visible. Point remote directly at sensor

- Press 1 x:**  
Lights ON
- Press 2 x:**  
Timer Mode  
*ON 6 hours • OFF 18 hours  
Lights flash x3 when activated*
- Press 3 x:**  
Flashing Lights  
*Lights Flash On and off repeatedly*
- Press 4 x:**  
Lights OFF
- If Button LED is OFF**  
Power / System is OFF

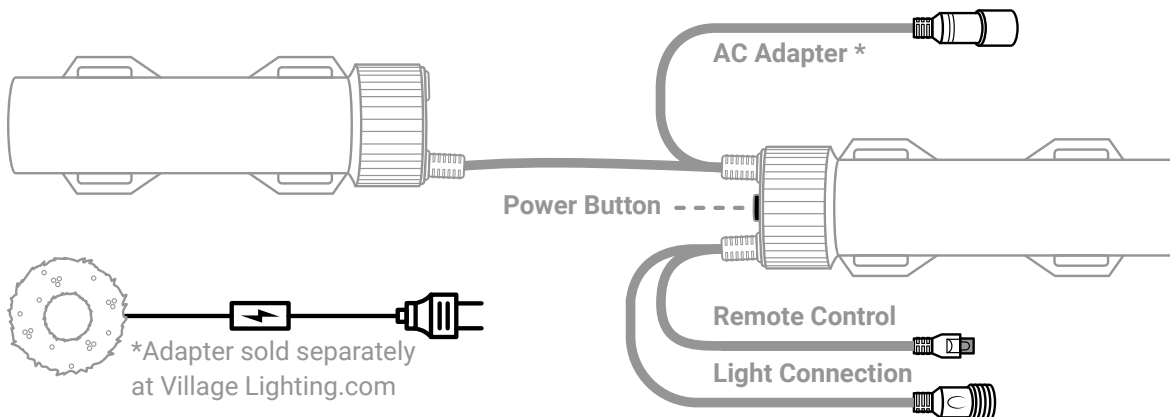
## BUTTON



## REMOTE

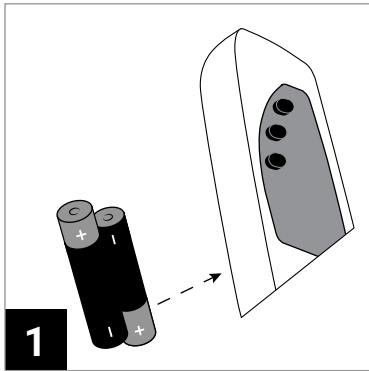
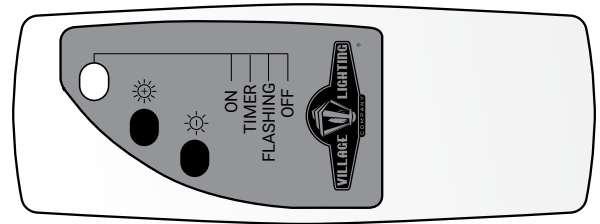


- Press 1 x:**  
Lights ON
- Press 2 x:**  
Timer Mode  
*ON 6 hours • OFF 18 hours  
Lights flash x3 when activated*
- Press 3 x:**  
Flashing Lights  
*Lights Flash On and off repeatedly*
- Press 4 x:**  
Lights OFF
- Bulb Brightness**  
*The lower the light, the longer the battery life and vice-versa*

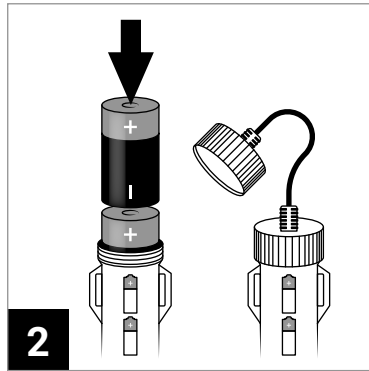


# REMOTE CONTROL

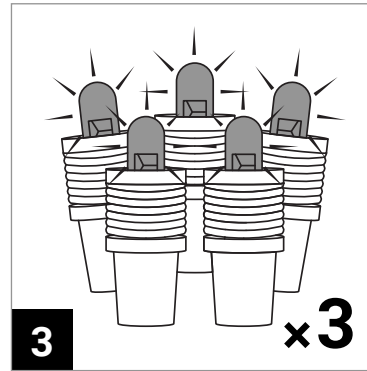
STYLE #2



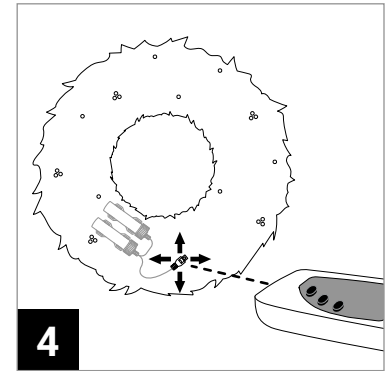
**1** Add (2) AAA batteries into the remote



**2** Add four new D size batteries to the battery pack



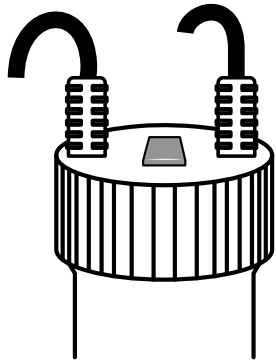
**3** Lights will flash three times once batteries are inserted



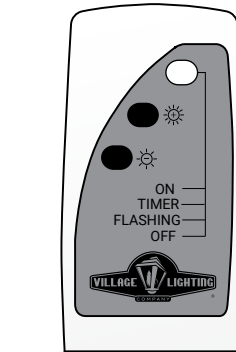
**4** Adjust sensor to be visible. Point remote directly at sensor

- Press 1 x:**  
Lights ON
- Press 2 x:**  
Timer Mode  
*ON 6 hours • OFF 18 hours  
Lights flash x3 when activated*
- Press 3 x:**  
Flashing Lights  
*Lights Flash On and off repeatedly*
- Press 4 x:**  
Lights OFF
- If Button LED is OFF**  
Power / System is OFF

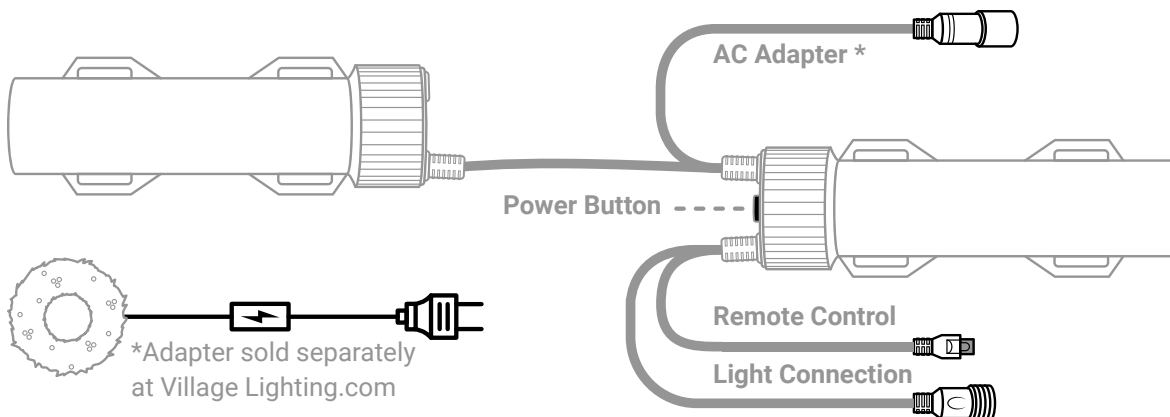
## BUTTON



## REMOTE

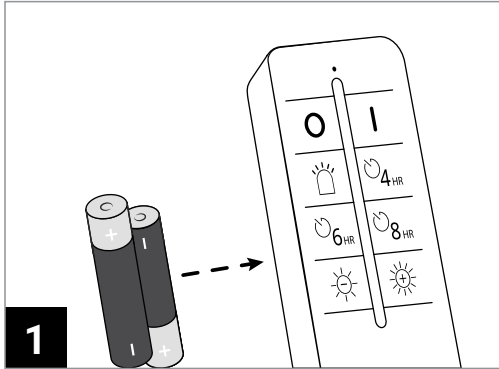
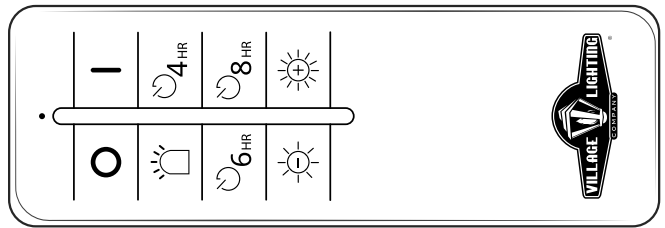


- Press 1 x:**  
Lights ON
- Press 2 x:**  
Timer Mode  
*ON 6 hours • OFF 18 hours  
Lights flash x3 when activated*
- Press 3 x:**  
Flashing Lights  
*Lights flash on and off repeatedly*
- Press 4 x:**  
Lights OFF
- Bulb Brightness**  
*The lower the light, the longer the battery life and vice-versa*

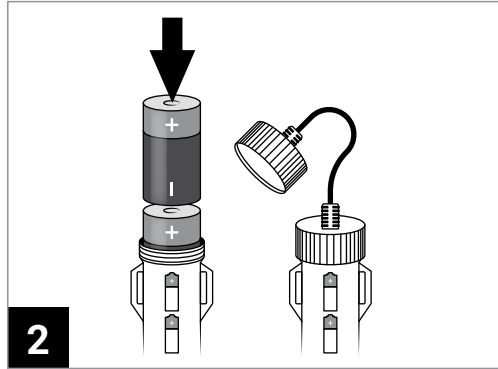


# REMOTE CONTROL

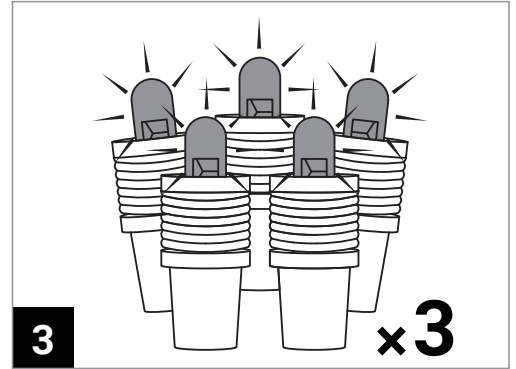
STYLE #3



**1** Add (2) AAA batteries into the remote

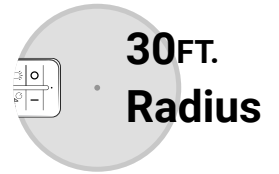
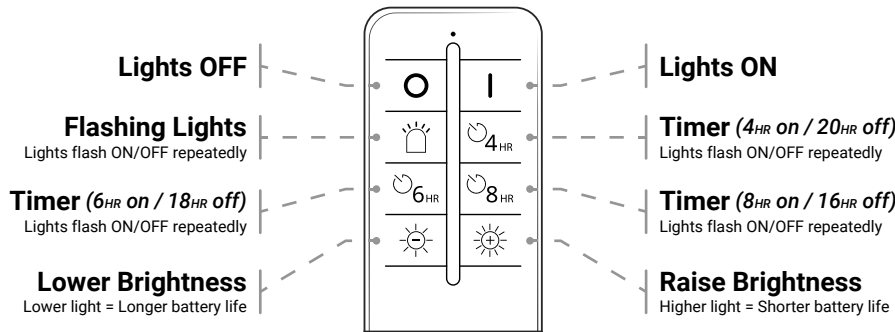


**2** Add four new D size batteries to the battery pack



**3** The lights will flash three times when the batteries are inserted

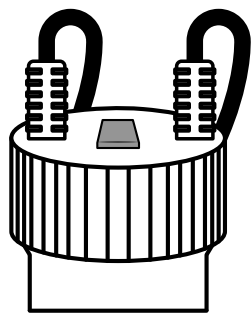
## REMOTE FUNCTIONS



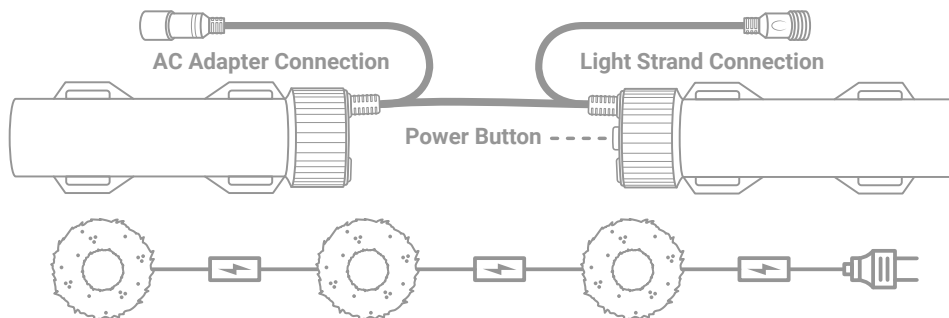
One remote will control all battery packs within a 30 ft. radius.

To control different battery packs with different remotes, visit [Villagelighting.com/remote-channel](http://Villagelighting.com/remote-channel) to change the remote's frequency.

## BUTTON FUNCTIONS



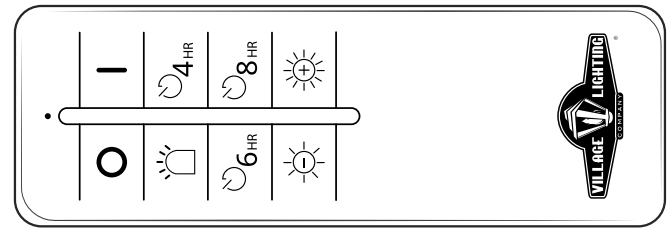
- Press 1x: Lights ON**
- Press 2x: Timer Mode**  
ON 6 hrs • OFF 18 hrs  
Lights flash x3 when activated  
*NOTE: 4HR / 8HR options via remote only*
- Press 3x: Flashing Lights**  
Lights flash ON/OFF continuously
- Press 4x: Lights OFF**
- Button LED OFF?**  
Power / System is OFF



\* AC Adapter and End-to-End Linking Cables Sold Separately at [VillageLighting.com](http://VillageLighting.com)

# REMOTE CONTROL

STYLE #3  
Continued

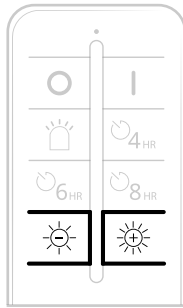
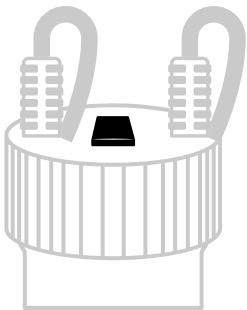


## Change Remote Control Channel Frequency



By default, your remote will control any wreath or garland within a 30 foot radius. To control your greenery separate from other pieces of greenery, follow the steps to change the radio frequency from the default channel to a private channel.

*Note: All remotes come pre-programmed to the Default Channel radio frequency*

### Change To Private Channel

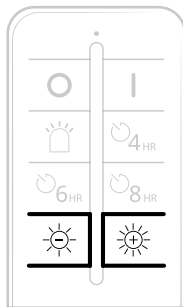
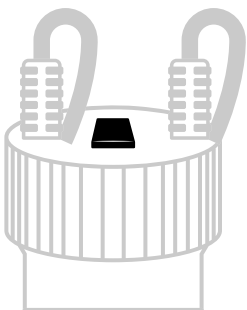


**Step 1 Battery Pack:** Hold button down for 5 seconds, until light starts to blink fast.

**Step 2 Remote:** Hold Down the  and  buttons simultaneously. Battery Pack will now be paired to remote's Private Channel frequency.

**Step 3 Repeat:** Want more Battery Packs paired to the first Remote's Private Channel? Repeat steps 1 and 2 for each additional Battery Pack.

### Change Back To Default Channel



**Step 1 Battery Pack:** Press and hold button down for 5 seconds until light begins blinking quickly, then press the same button again.

NOTE: Do not touch any remote control buttons

**Step 2 Remote:** Remove the batteries for at least 5 seconds, then re-insert batteries.