

V 02153

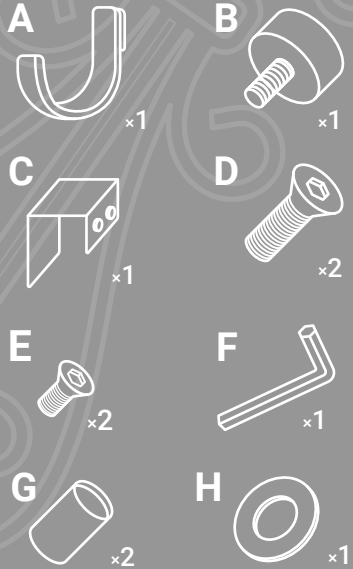


www.VillageLighting.com

COLONIAL WREATH HANGER

MODEL #: V-20569 SERIES

PARTS

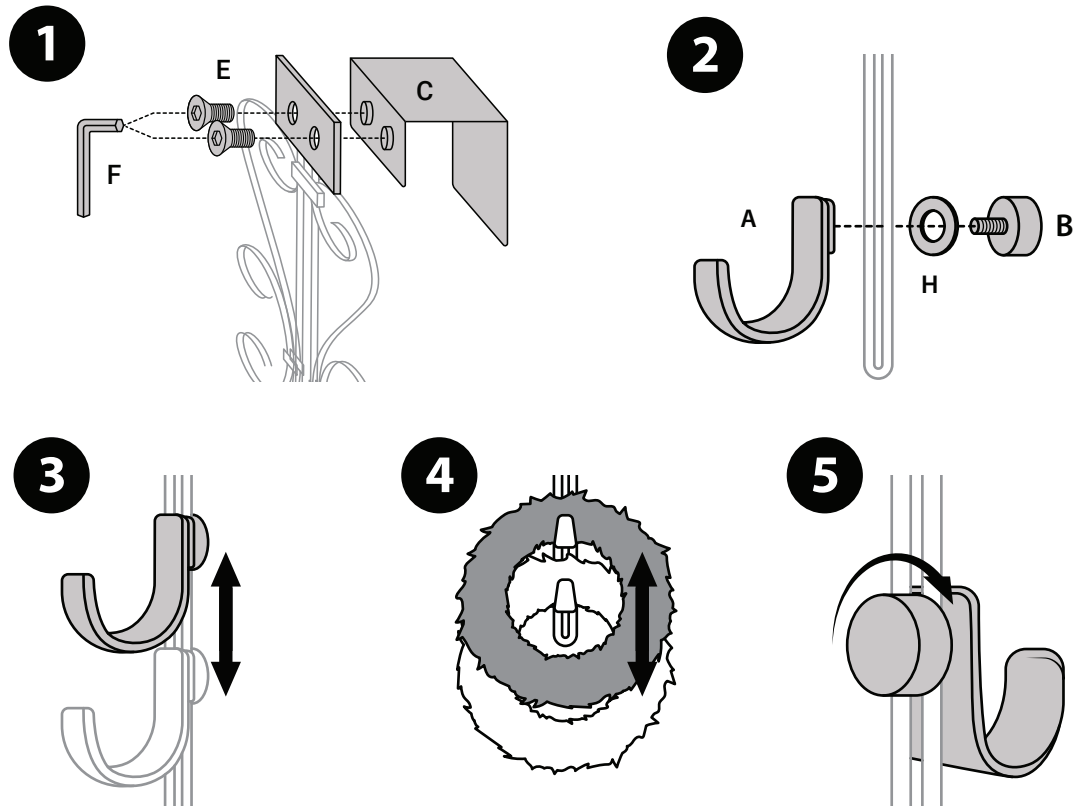


SCAN HERE FOR VIDEOS & PRODUCT SUPPORT

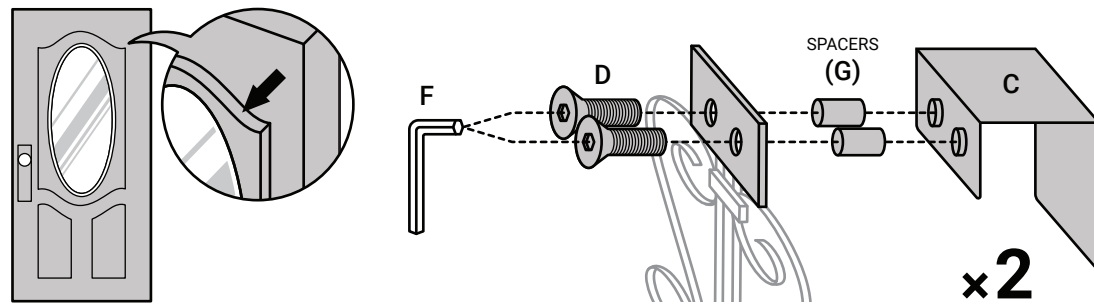


For assistance with assembly, replacement parts or to activate your warranty: www.VillageLighting.com | Support@VillageLighting.com

STANDARD ASSEMBLY (WITHOUT BRACKET SPACERS)



FOR DOORS WITH RAISED GLASS OR OTHER FEATURES



**DOOR THICKER THAN 2 INCHES?
NEED THINNER BRACKETS TO FIT BETWEEN THE DOOR AND DOOR JAMB?**

CONTACT US! We will send you a new bracket set immediately.
VillageLighting.com/help | support@villagelighting.com | 801-972-5119