

V 04030

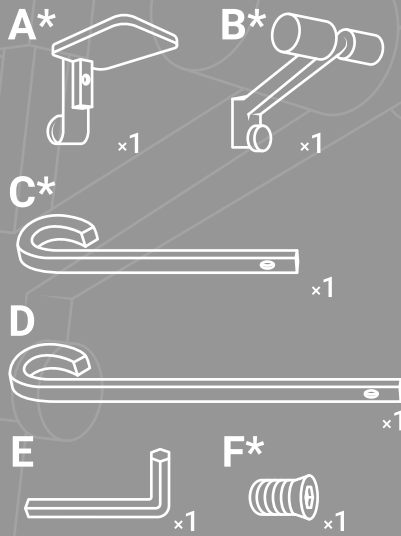


www.VillageLighting.com

ADJUSTABLE MANTLE HANGER™

MODEL #: V-20530, V-20530-WHT, V-20530-GLD, V-20530-SLV, V-20530-RS3
V-20530-WHT-R53, V-20530-GLD-R53, V-20530-SLV-R53 | Patent Pending

PARTS



*parts come pre-assembled

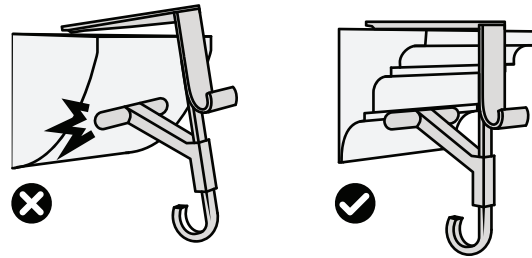
**IMPORTANT, RETAIN FOR FUTURE REFERENCE:
READ CAREFULLY**

Intended for indoor use

For assistance with assembly,
replacement parts or to activate your warranty:
www.VillageLighting.com | Support@VillageLighting.com

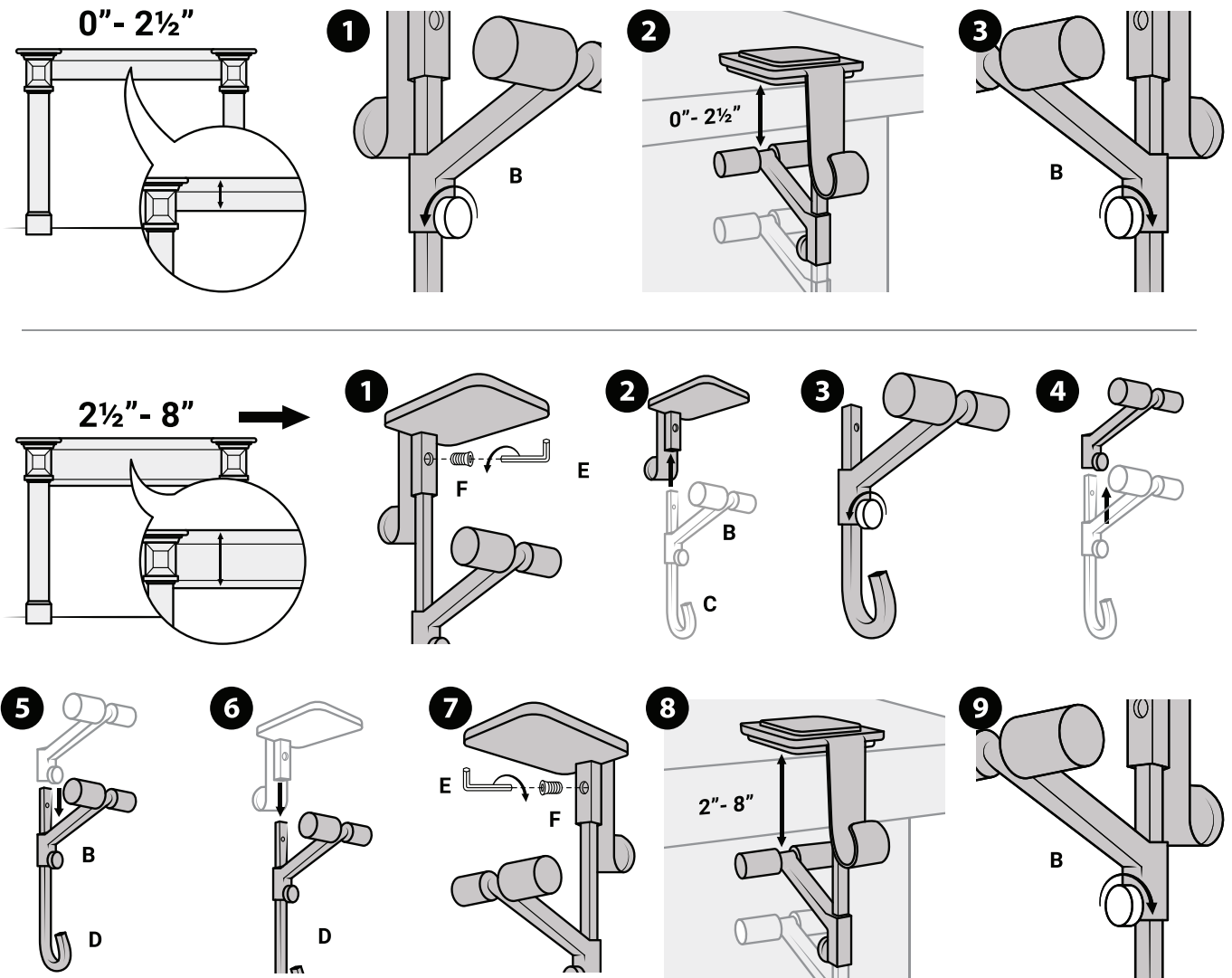
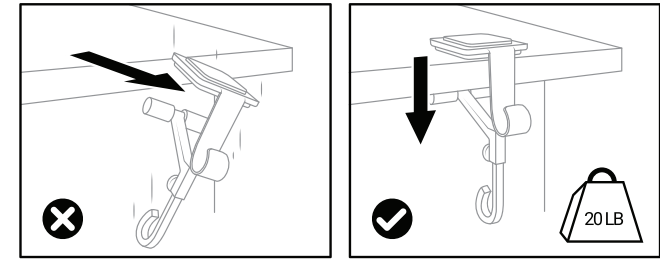
IMPORTANT

This product is not intended for rounded mantel molding. Please ensure that your mantel has flat edges



WARNING

DO NOT pull in a lateral (side to side or front) direction from your mantel. The Mantle Hanger™ could fall and this may result in Injury.



V 04030

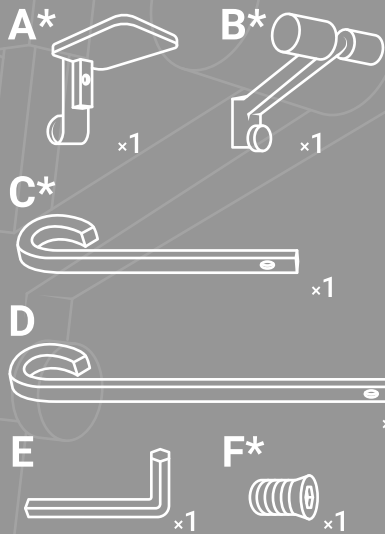


www.VillageLighting.com

ADJUSTABLE MANTLE HANGER™

MODEL #: V-20530, V-20530-WHT, V-20530-GLD, V-20530-SLV, V-20530-RS3
V-20530-WHT-RS3, V-20530-GLD-RS3, V-20530-SLV-RS3 | Patent Pending

PARTS



*parts come pre-assembled

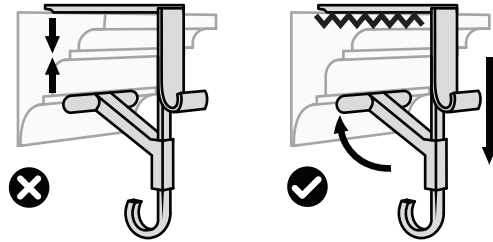
IMPORTANT, RETAIN FOR FUTURE REFERENCE:
READ CAREFULLY

Intended for indoor use

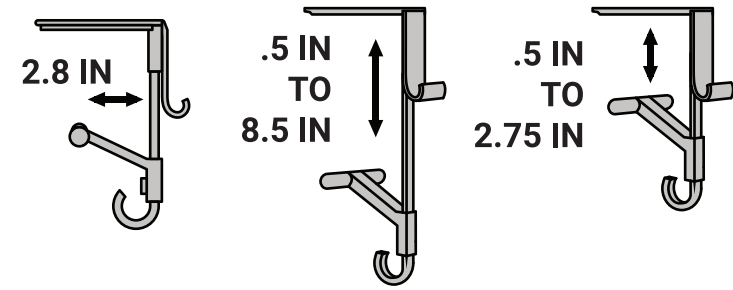
For assistance with assembly,
replacement parts or to activate your warranty:
www.VillageLighting.com | Support@VillageLighting.com

HOW IT WORKS

THE HANGER DOES **NOT** SQUEEZE
OR CLAMP YOUR MANTLE.



DIMENSIONS



The Mantle Hanger uses downward force, held secure by a top friction pad, to create an opposing force with the Hanger's lower Jaw to keep it secure.

WHAT SHAPE IS YOUR MANTLE?

