

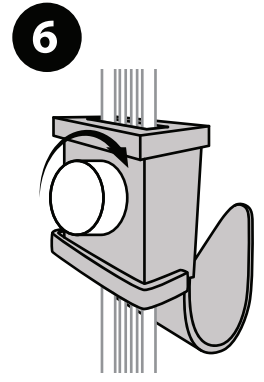
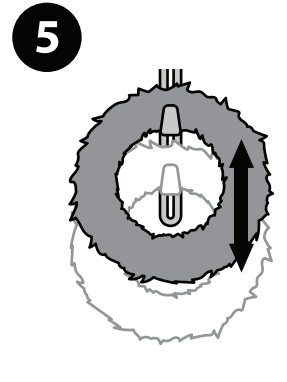
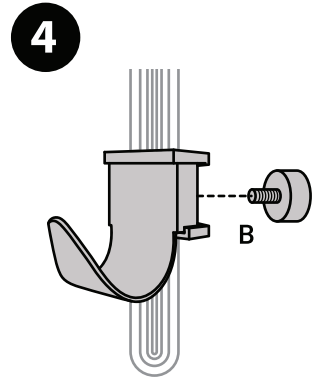
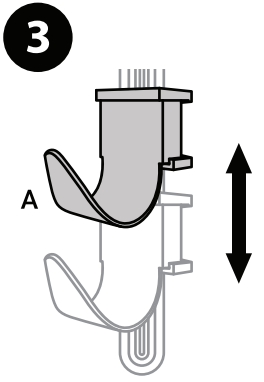
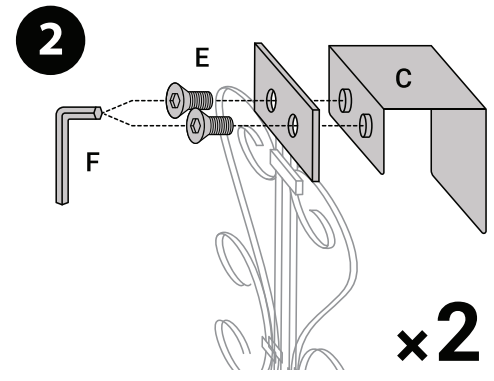
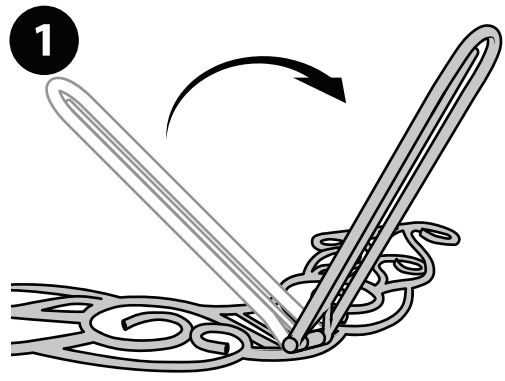
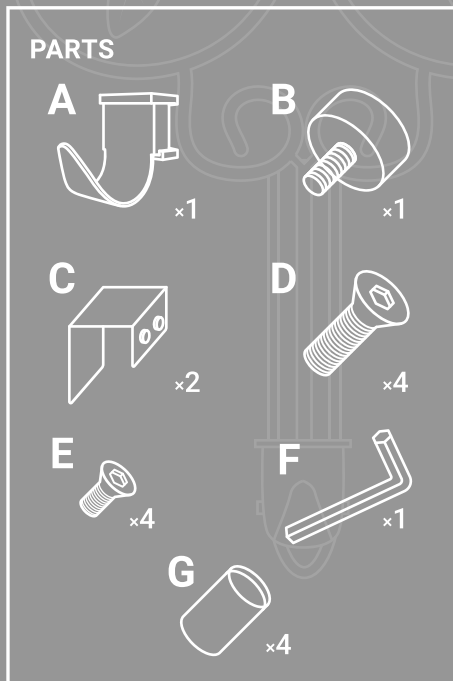
V 04030



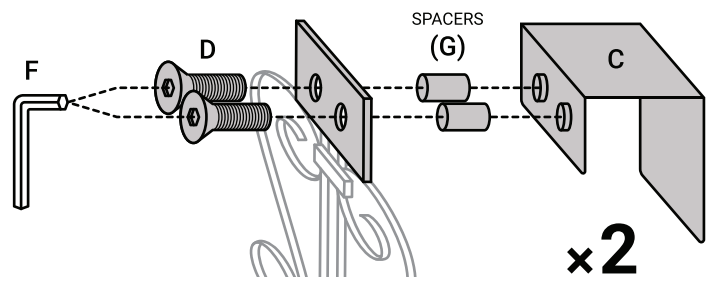
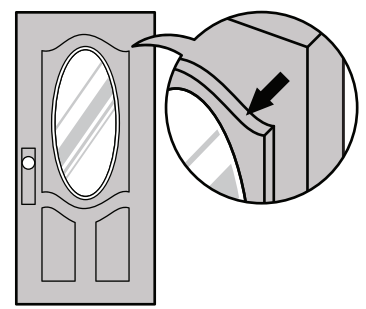
www.VillageLighting.com

IVY WREATH HANGER

MODEL #: V-10958, V-10958-WHT



FOR DOORS WITH RAISED GLASS OR OTHER FEATURES



IMPORTANT - For Doors Thicker Than 2"

If your door is larger than 2 inches thick, **CONTACT US!**
We will send you a larger bracket immediately.

VillageLighting.com/help | support@villagelighting.com | 801-972-5119

**IMPORTANT, RETAIN FOR FUTURE REFERENCE:
READ CAREFULLY**

For assistance with assembly,
replacement parts or to activate your warranty:
www.VillageLighting.com | Support@VillageLighting.com