

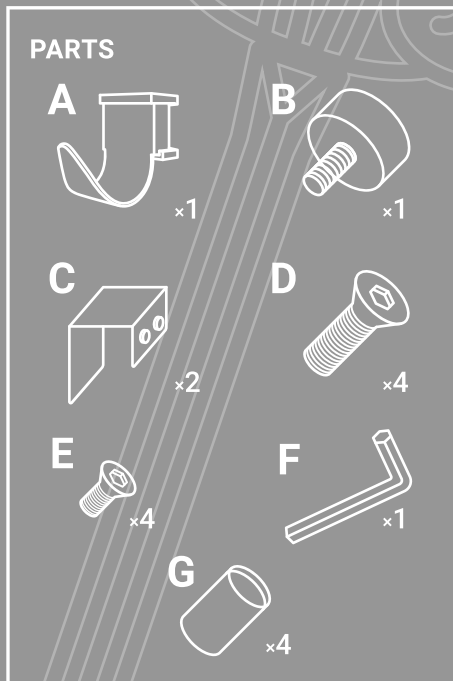
V 03310



www.VillageLighting.com

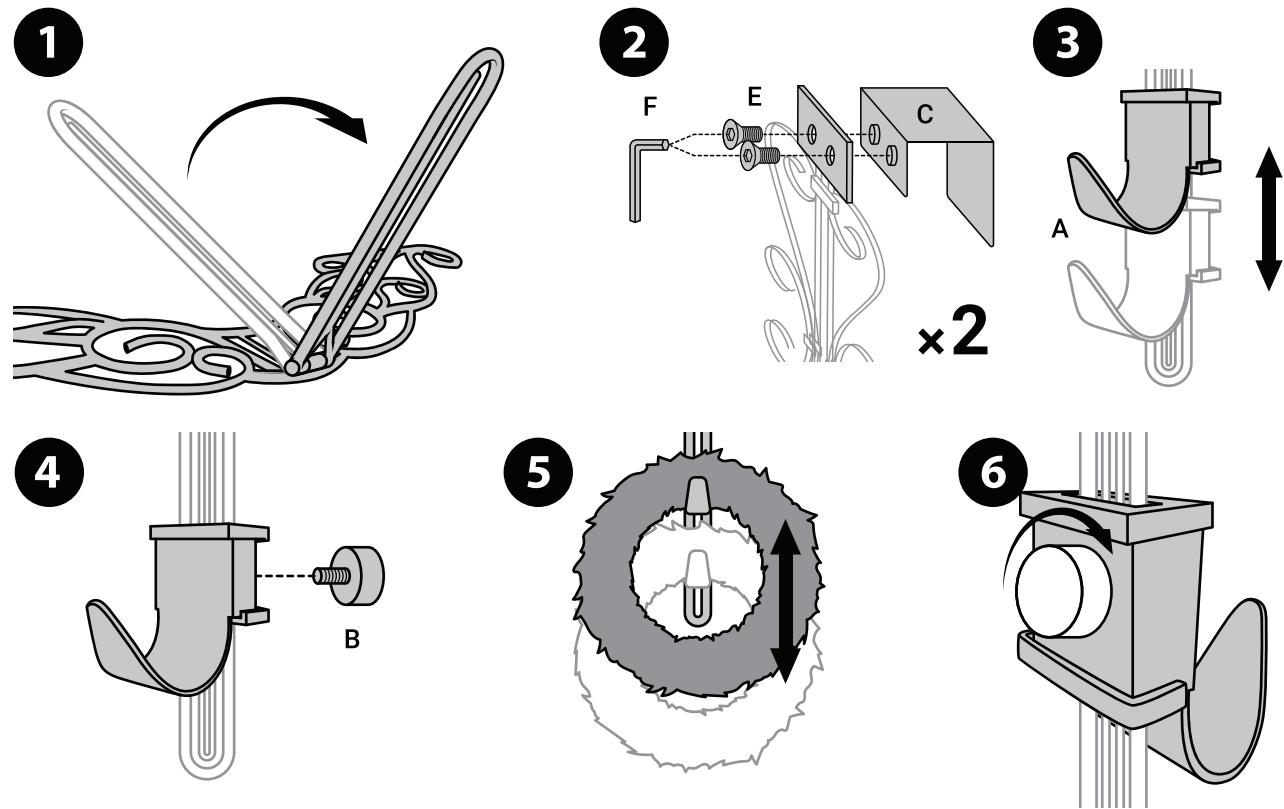
ADJUSTABLE WREATH HANGER

MODEL #: V-10909, V-10909-BLK, V-10909-WHT
V-10909-GLD, V-10909-SLV

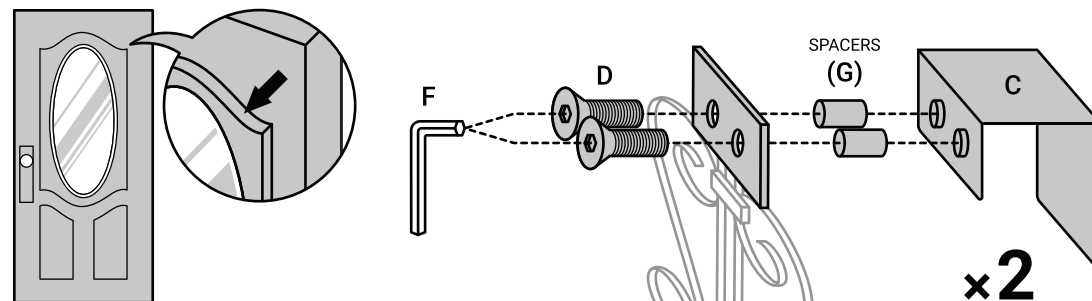


**IMPORTANT, RETAIN FOR FUTURE REFERENCE:
READ CAREFULLY**

For assistance with assembly,
replacement parts or to activate your warranty:
www.VillageLighting.com | Support@VillageLighting.com



FOR DOORS WITH RAISED GLASS OR OTHER FEATURES



IMPORTANT - For Doors Thicker Than 2"

If your door is larger than 2 inches thick, **CONTACT US!**
We will send you a larger bracket immediately.

VillageLighting.com/help | support@villagelighting.com | 801-972-5119