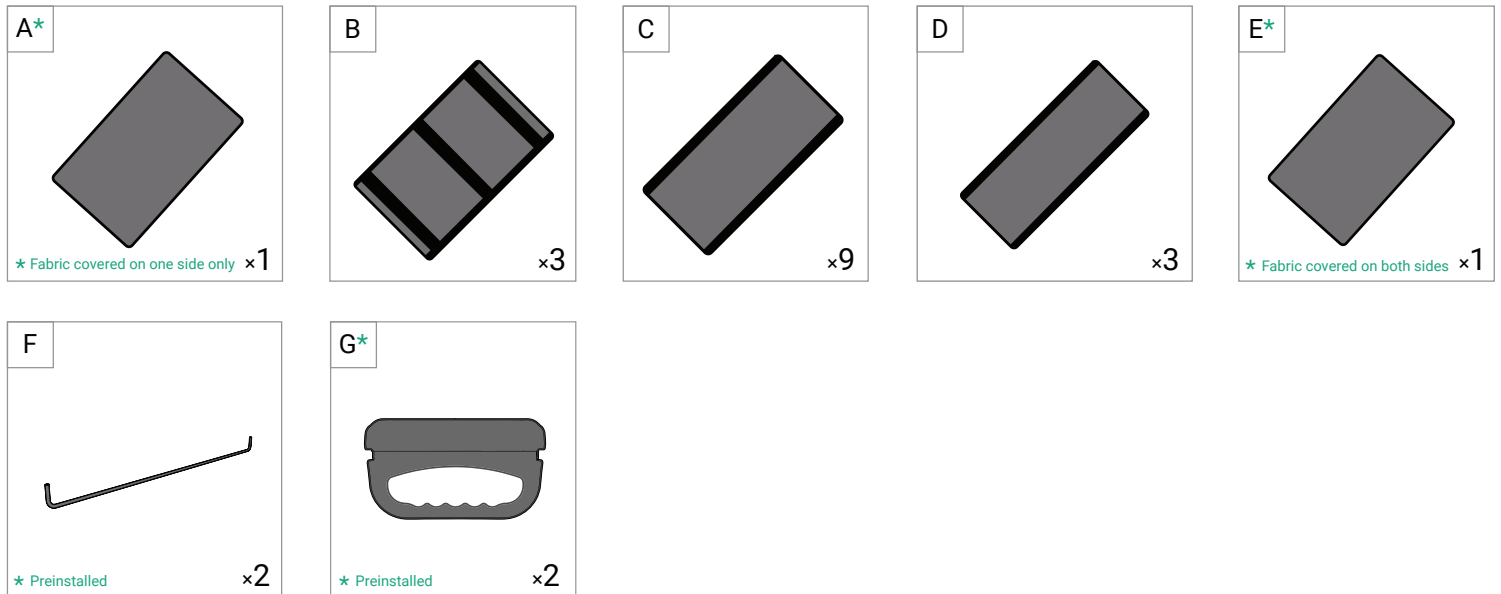


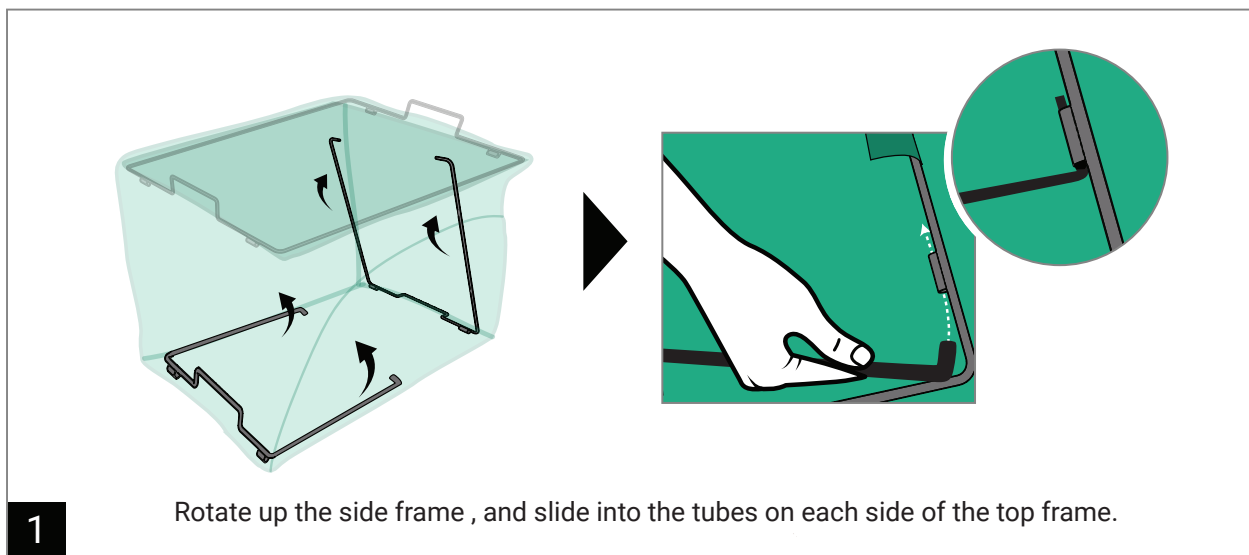
TALL COLLECTIBLE STORAGE BAG

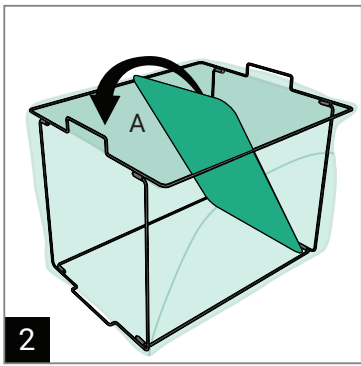
Model No. TK-30055-RS (Stack & Lock Version) | Assembly Instructions | www.TreeKeeperbags.com/Patents

Parts

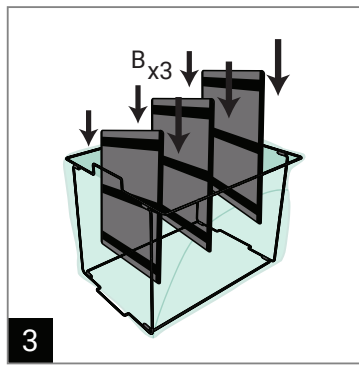


How to assemble your ornament storage bag

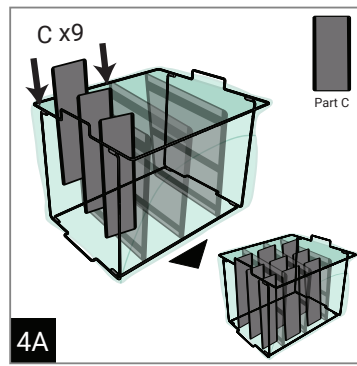




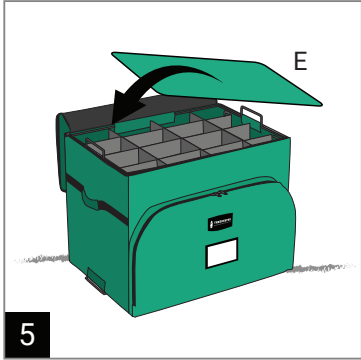
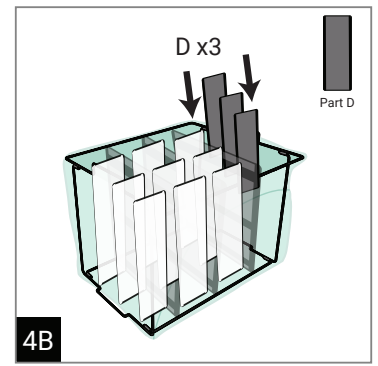
2 Insert the bottom panel (part A)



3 Insert the large main dividers (Part B) into the bag. Keep them evenly spaced. You may need to adjust these slightly when you begin to install the rest of the dividers.

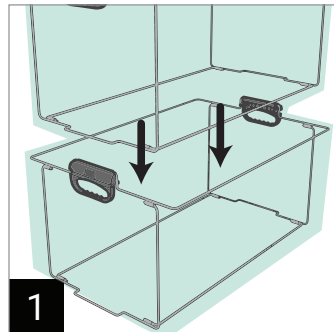


4A Beginning left to right, insert 3 of the wider dividers (Part C) into each of the first 3 rows. Insert 3 of the shorter dividers (Part D) into the last row.

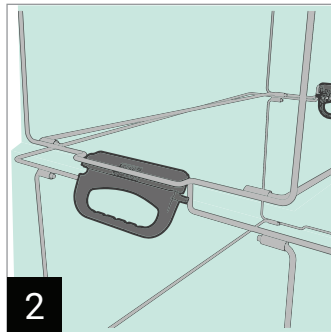


5 Place cardboard panel (part E) on the top of the bag.

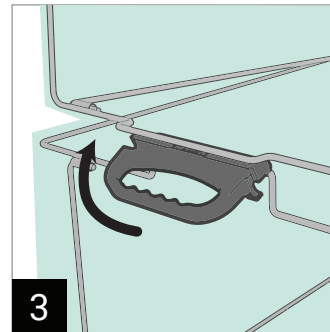
Using your Bag together with other Stack and Lock™ Compatible Bags Sold Separately



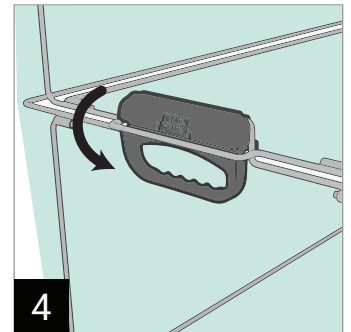
1 Make sure the handles are facing down before stacking another bag on top of them.



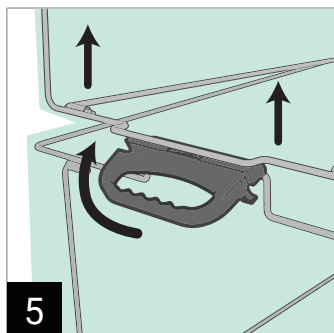
2 Set the bag on top of the handles with the upper bag's frame resting on the handle.



3 Lift up on the handle until the upper bag falls into the handle groove.



4 Rotate the handle back down until its rear tabs lock. Repeat on both sides.



5 To unlock the bags, lift up on the handle until the frame is free to lift upward. Repeat on the other side.

WARNING: DO NOT LIFT OR TRANSPORT STACKED BAGS UP AND DOWN STAIRS. THIS COULD CAUSE INJURY OR ACCIDENT. UNLOCK AND CARRY EACH BAG SEPARATELY.