



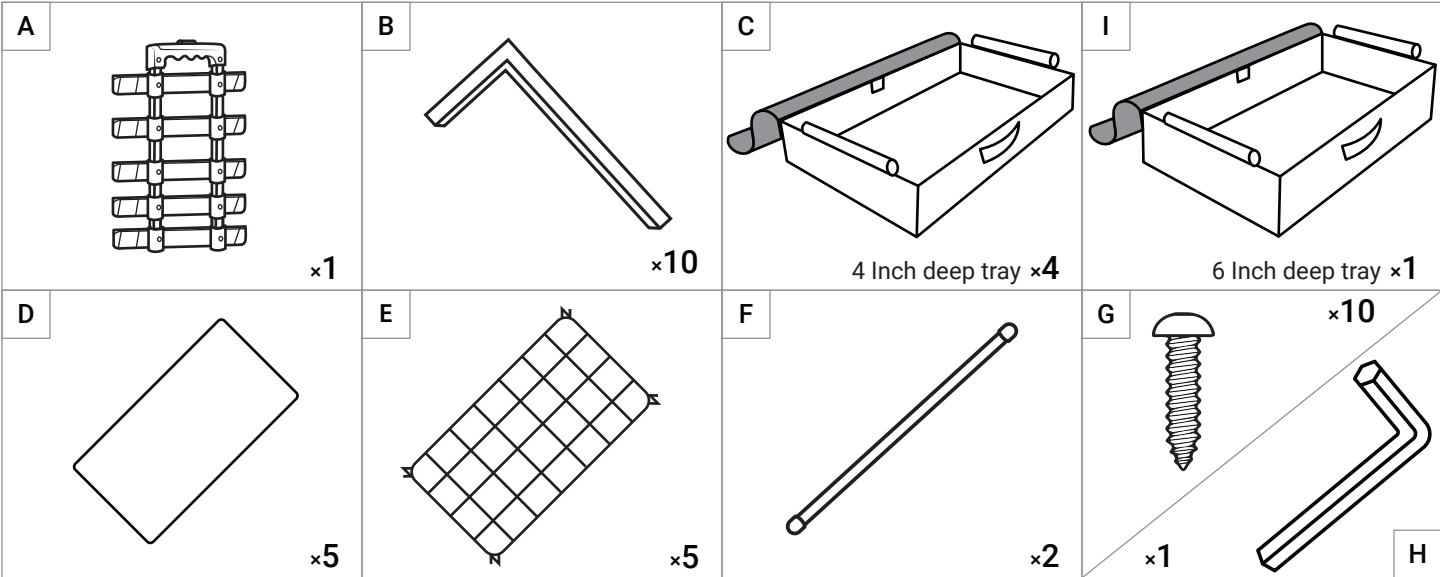
XL TELESCOPING ORNAMENTKEEPER™

Model No. TK-30054 | Assembly Instructions | Patent No. US10,322,737

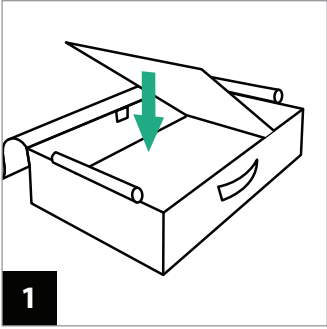


VISIT OUR WEBSITE FOR VIDEO INSTRUCTIONS

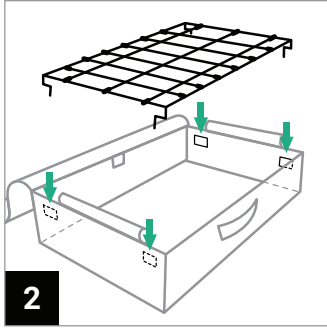
Please lay out all parts and read instructions prior to assembly.



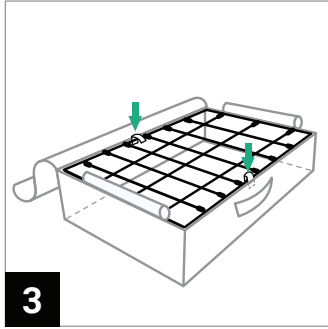
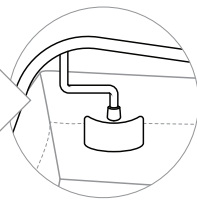
How to assemble the adjustable ornament trays



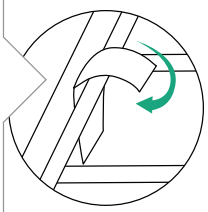
Insert the support board into the base of each tray.

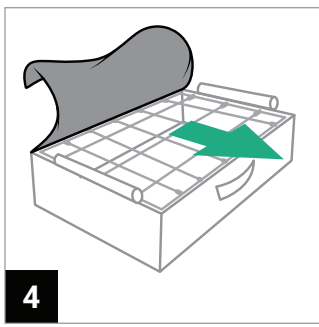


Locate the pockets in the corners of the tray. Place the legs on the metal dividers into each of the tray pockets.

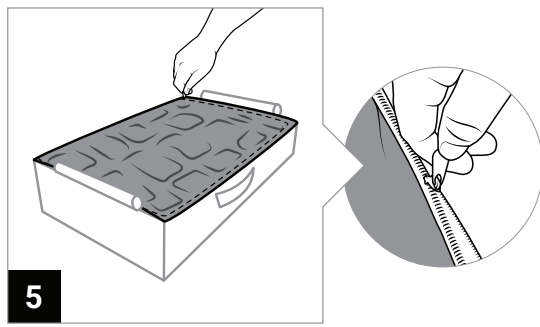


Close velcro straps on front and back of the bag over the frame.

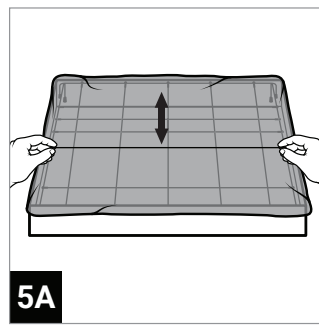




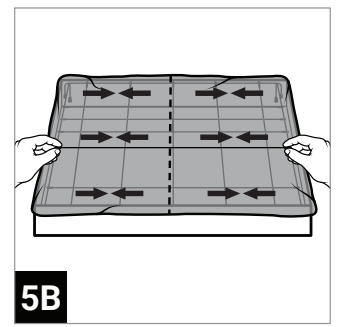
4 Move the fabric lining onto the tray to cover the metal dividers.



5 Locate the zipper on the fabric lining and carefully zip the fabric to the tray to secure.



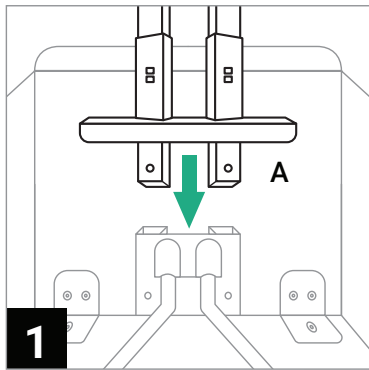
5A



5B

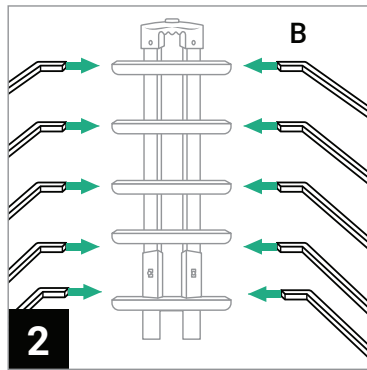
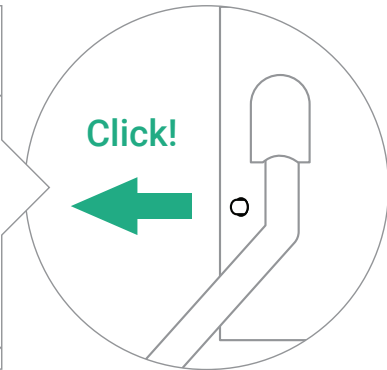
Adjust the divider bars vertically and horizontally as needed to fit your ornaments.

How to assemble the bag and frame



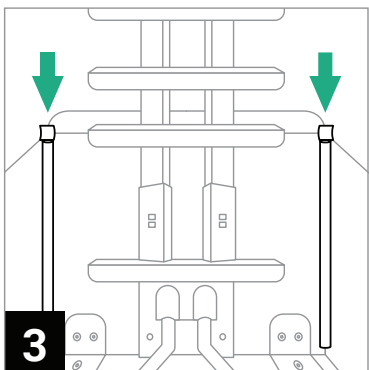
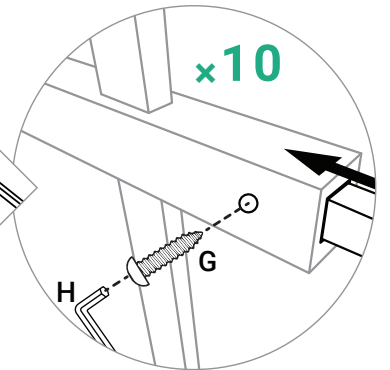
1

Insert telescoping frame (A) into the base of the bag. Make sure metal pins "click" into place to fully secure.



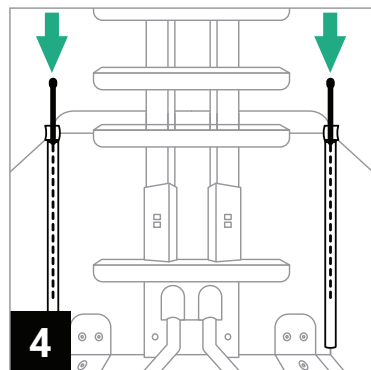
2

Insert arms (B) into the telescoping frame (A). Insert screws (G) into the back of each arm (B) and tighten.



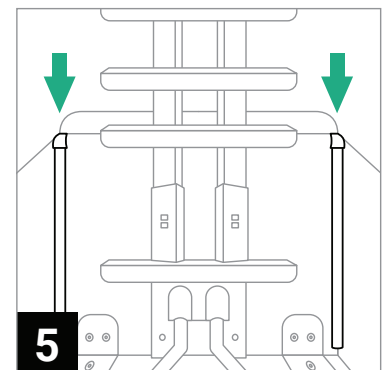
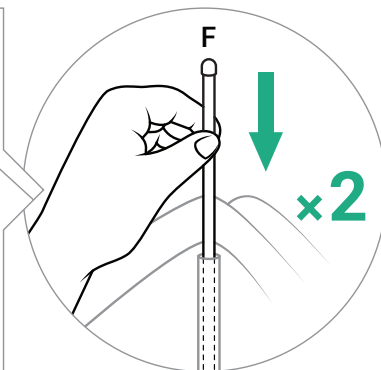
3

Locate the two Velcro straps in the rear corners of the bag.



4

Lift the Velcro straps in each of the two side corners and insert the support rods down into the channels.



5

Close the tops of the Velcro straps to secure them in place.