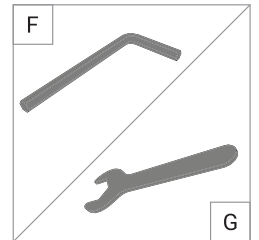
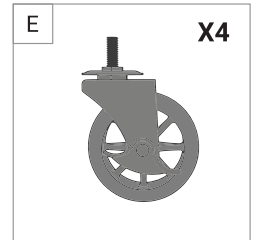
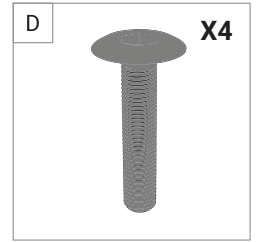
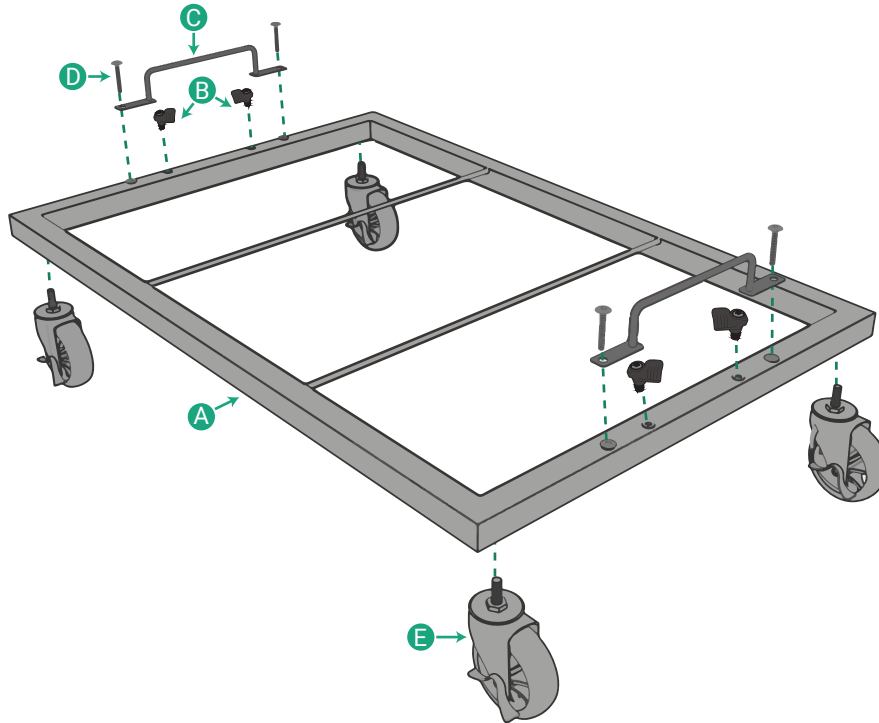
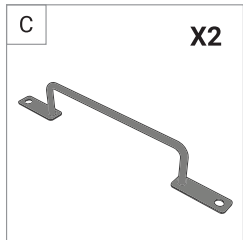
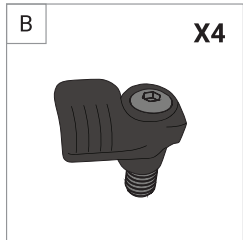
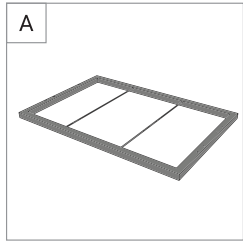




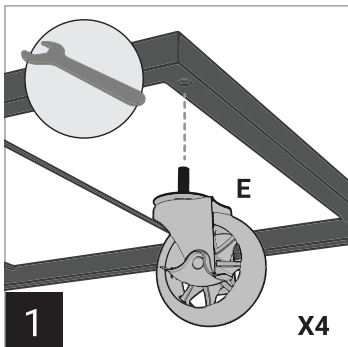
Stack and Lock™ Rolling Base

Item No. TK-30053-RS | Patent Pending | Assembly Instructions

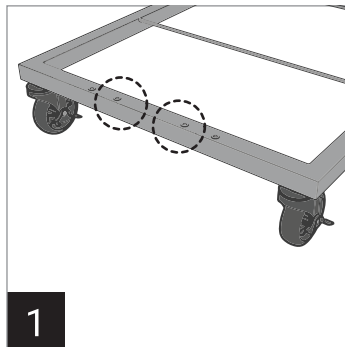
PARTS



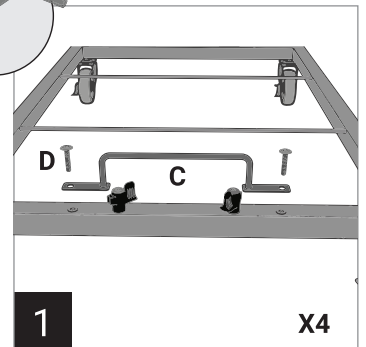
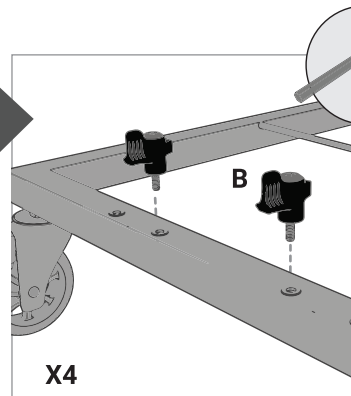
ASSEMBLY



Install the four bottom castors (Part E). Use the wrench (Part G) to tighten.



Install the 4 locking tabs (Part B) into the inner set of holes on both sides of the frame. Tighten with the Allen Wrench (Part F). Repeat on both sides.

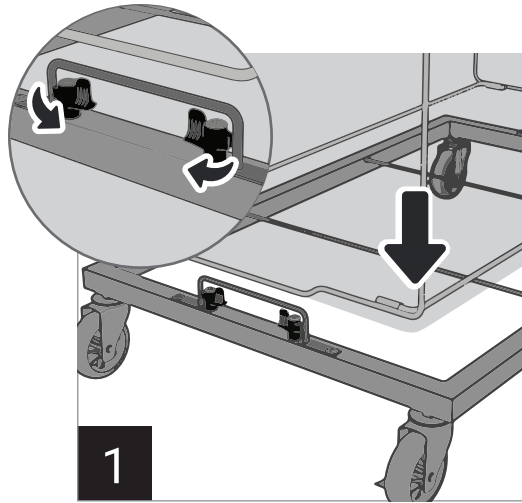


Install the top handle (Part C) with two bolts (Part D). Tighten with the Allen Wrench (Part F). Repeat on both sides.

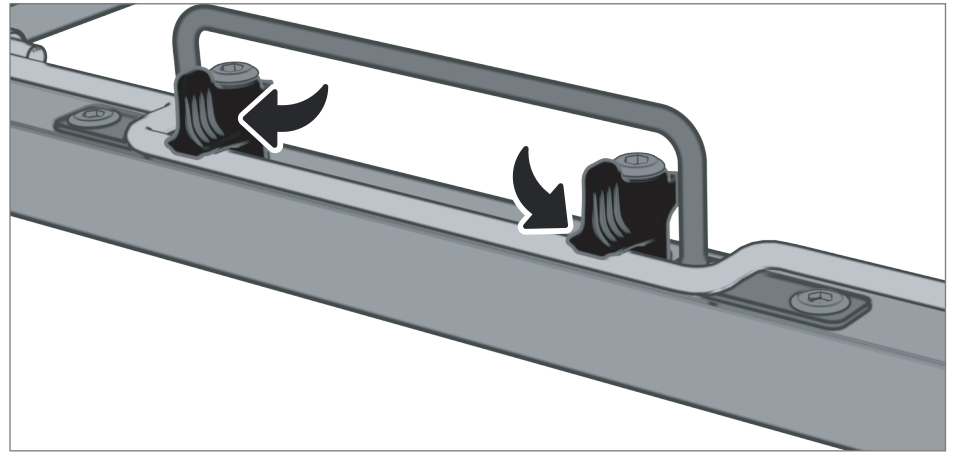
Stack and Lock™ Rolling Base

Item No. TK-30053-RS | Patent Pending | Assembly Instructions

INSTALLING A STACK AND LOCK™ COMPATIBLE BAG ONTO THE BASE

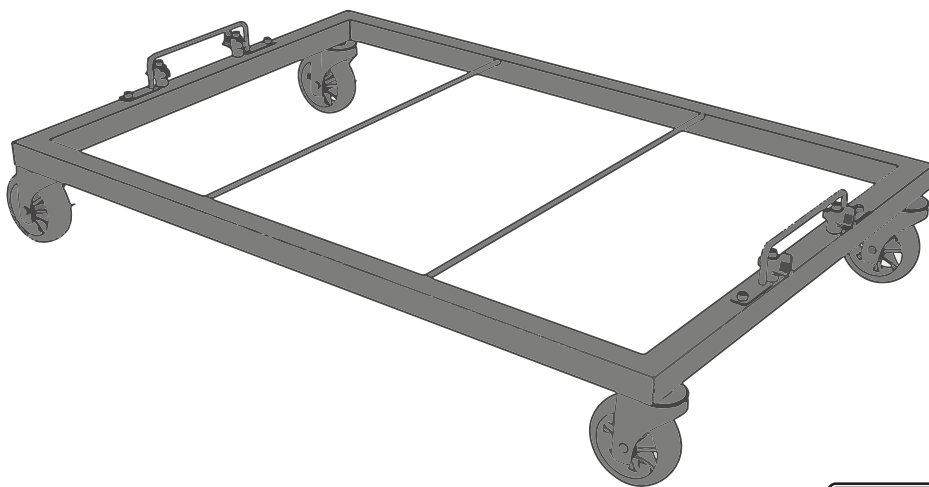


1
Make sure the locking tabs (Part B) are rotated in and pointed towards each other. Lower the bag onto the base with the bag's bottom frame on the outside of the base handle.



Once the bag's frame is in place, rotate the locking tabs (Part B) 90 degrees to lock the frame in place. Repeat on both sides.

WARNING: DO NOT LIFT OR TRANSPORT STACKED BAGS UP AND DOWN STAIRS. THIS COULD CAUSE INJURY OR ACCIDENT. UNLOCK AND CARRY EACH BAG SEPARATELY.



**STACK
& LOCK™**