



TELESCOPING ORNAMENTKEEPER™

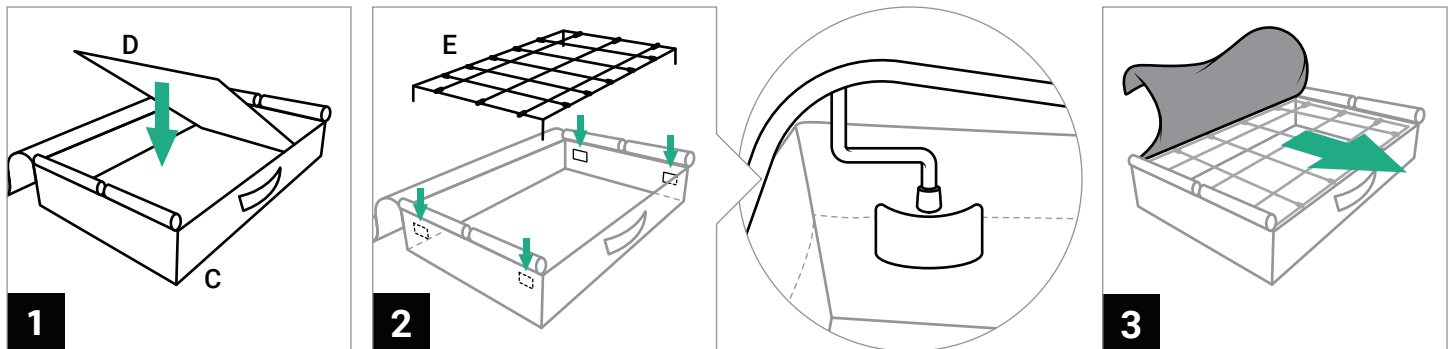
Model No. TK-30010 | Assembly Instructions

Please lay out all parts and read instructions prior to assembly.



<p>A</p> <p>x1</p>	<p>B</p> <p>Left x5 Right x5</p>	<p>C</p> <p>x5</p>	<p>D</p> <p>x5</p>
<p>E</p> <p>x5</p>	<p>F</p> <p>x2</p>	<p>G</p> <p>x10</p>	<p>H</p> <p>x1</p>

How to assemble the adjustable ornament trays

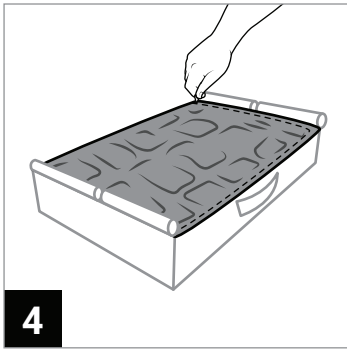


1 Insert the support board into the base of tray.

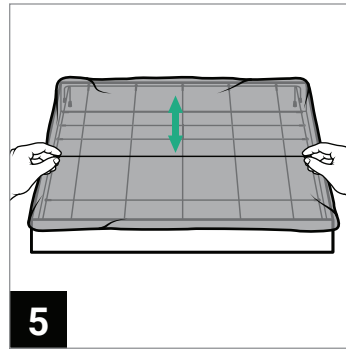
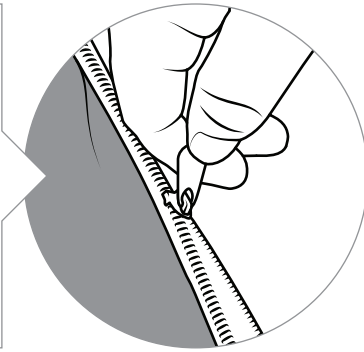
2 Locate the pockets in the corners of the tray. Place the legs on the metal dividers into each of the tray pockets.

3 Move the fabric lining onto the tray to cover the metal dividers.

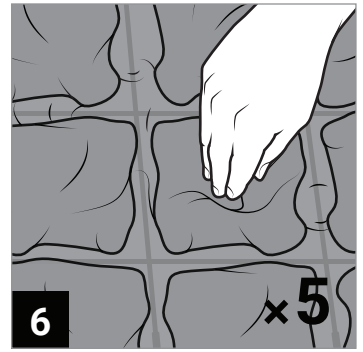
Patent No. US10,322,737



4 Locate the zipper on the fabric lining and carefully zip the fabric to the tray to secure.

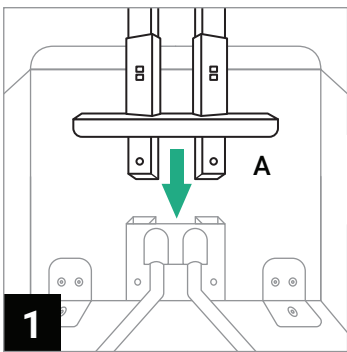


5 Adjust the divider bars as needed to fit your ornaments.

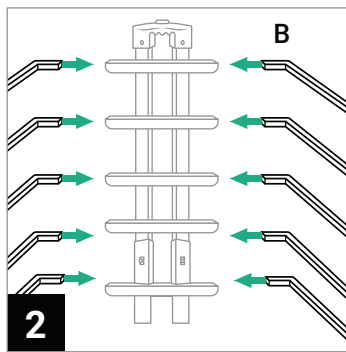
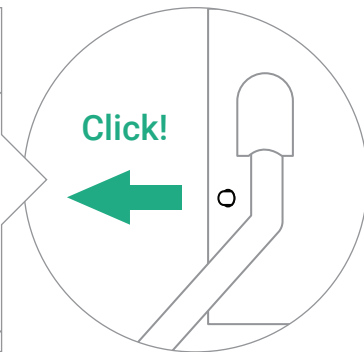


6 Evenly distribute fabric lining while making neat pockets. **x5**

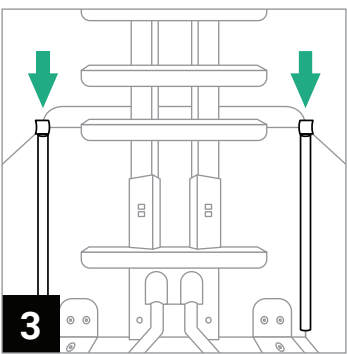
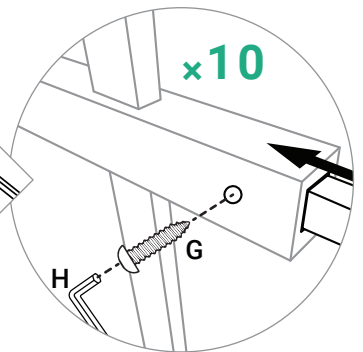
How to assemble the bag and frame



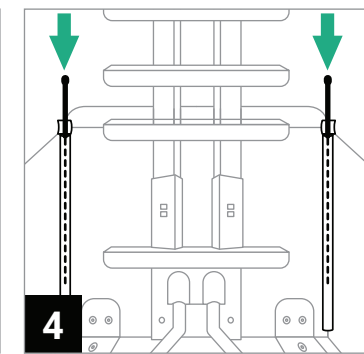
1 Insert telescoping frame (A) into the base of the bag. Make sure metal pins "click" into place to fully secure.



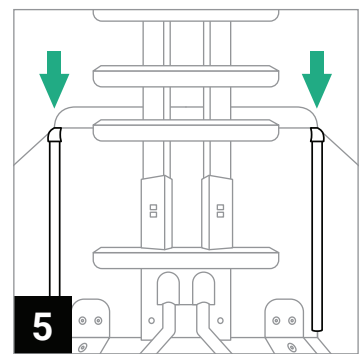
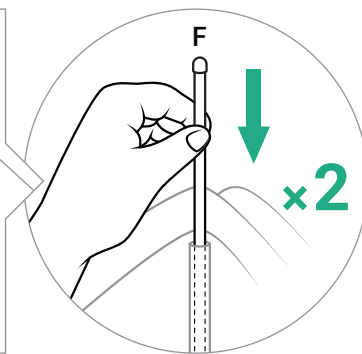
2 Insert arms (B) into the telescoping frame (A). Insert screws (G) into the back of each arm (B) and tighten. **x10**



3 Locate the two Velcro straps in the rear corners of the bag.



4 Lift the Velcro straps in each of the two side corners and insert the support rods down into the channels. **x2**



5 Close the tops of the Velcro straps to secure them in place.



Patent No. US10,322,737