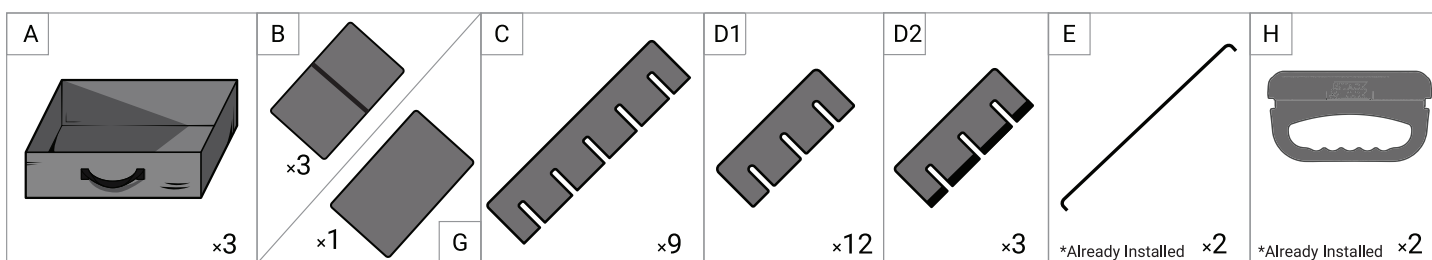
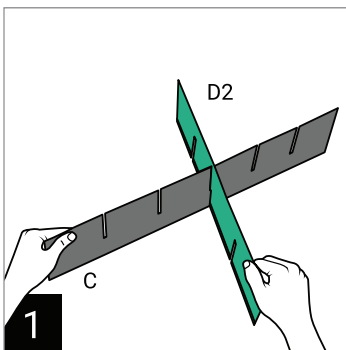


THREE TRAY STACK & LOCKTM ORNAMENT KEEPERTM

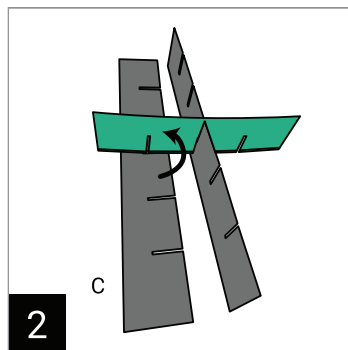
Model No. TK-10127 (Stack & Lock Version) | Assembly Instructions | www.TreeKeeperbags.com/Patents



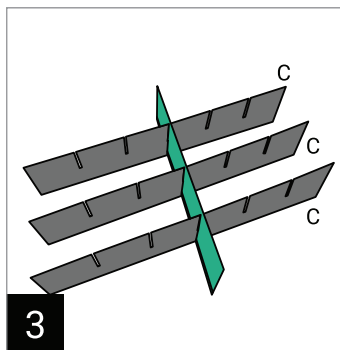
How to assemble your ornament storage bag



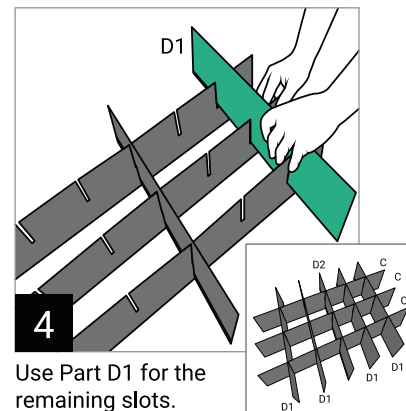
Insert part D2 into the center slot of part C. (Note: D2 has a Velcro strip along the bottom that will fasten to the bottom of Part B.)



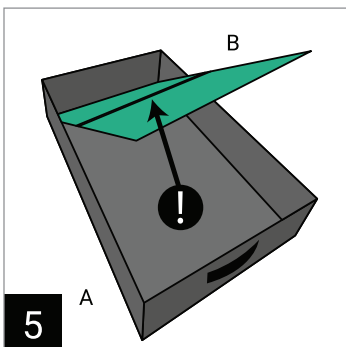
Slide another Part C under Part D2, then rotate it up.



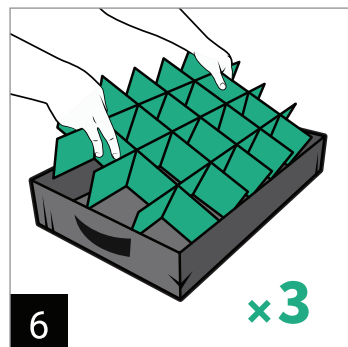
Repeat for all three long dividers (Part C)



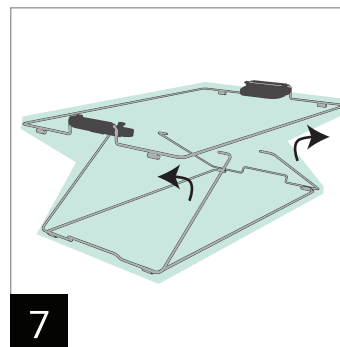
Use Part D1 for the remaining slots.



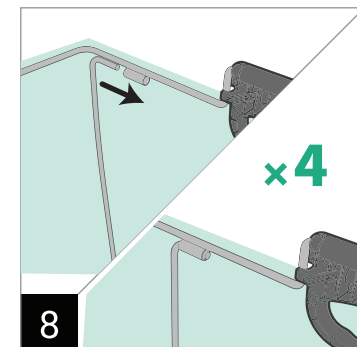
Insert Part B into the tray. Insure the Velcro Strip is facing up.



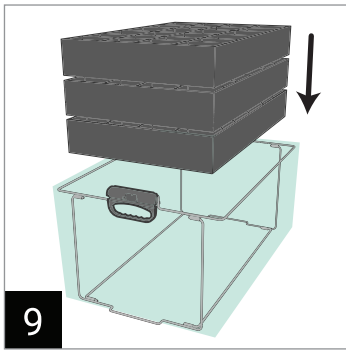
Insert the divider assembly. Insure Velcro on Part D2 fastens to Velcro strip on part B.



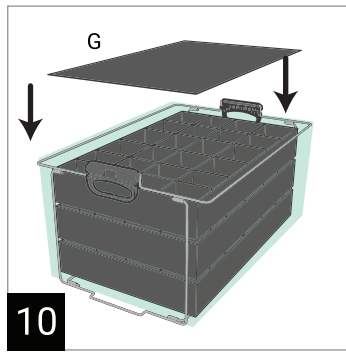
Open the top of the bag, locate the bag's side frames, and rotate them up towards the top frame.



Insert the top "L" shape of the side frame into the loop of the Top Frame. Repeat this for all four corners.

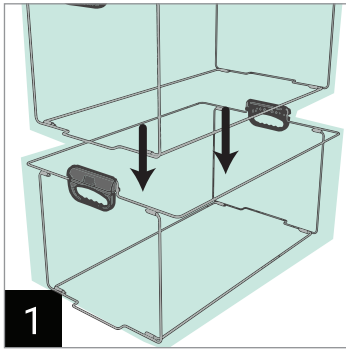


9
Insert the three completed trays into the bag.

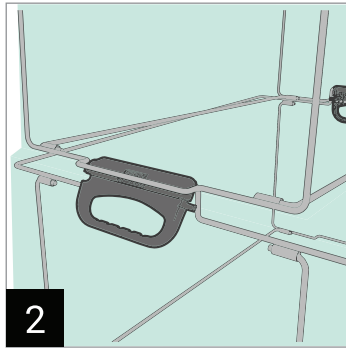


10
Insert Part G on the top tray before closing the bag.

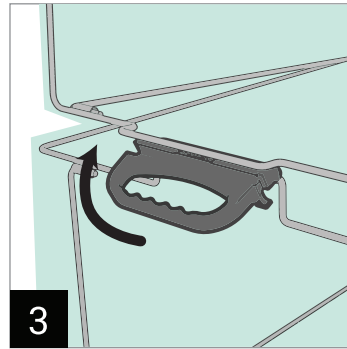
Using your Bag together with other Stack and Lock™ Compatible Bags Sold Separately



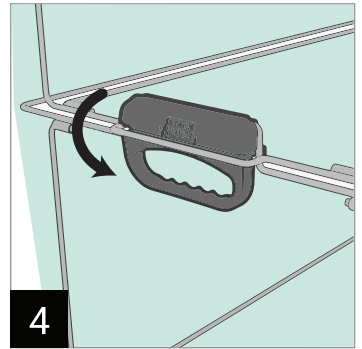
1
Make sure the handles are facing down before stacking another bag on top of them.



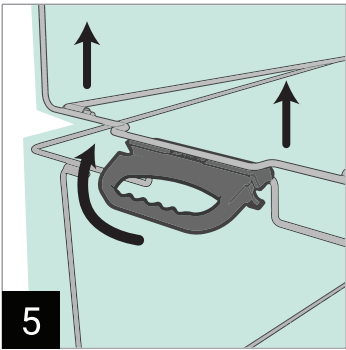
2
Set the bag on top of the handles with the upper bag's frame resting on the handle.



3
Lift up on the handle until the upper bag falls into the handle groove.



4
Rotate the handle back down until its rear tabs lock. Repeat on both sides.



5
To unlock the bags, lift up on the handle until the frame is free to lift upward. Repeat on the other side.

WARNING: DO NOT LIFT OR TRANSPORT STACKED BAGS UP AND DOWN STAIRS. THIS COULD CAUSE INJURY OR ACCIDENT. UNLOCK AND CARRY EACH BAG SEPARATELY.

See our entire family of Stack and Lock™ storage at TreeKeeper.com



STACK & LOCK™