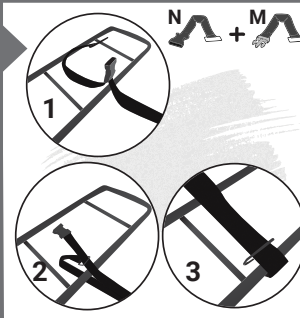




Lay the bag and frame on its back and secure the two Velcro tabs to the frame



Install the six inner compression Straps to the inner frame.



Wrap the strap around the frame, feed the strap through the loop, and pull tight. Repeat for all 6 straps (6 X Female, 6 X Male)



Assemble both the rods.



Insert the rod (Part R) into the pocket located inside the top corner of the bag opposite the base.



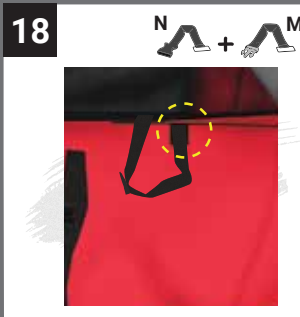
Install the opposite end of the pole into the pocket at the base end of the bag and frame. You will need to bend the pole slightly to insert it into the pocket.



Secure the two center Velcro tabs around the rod.



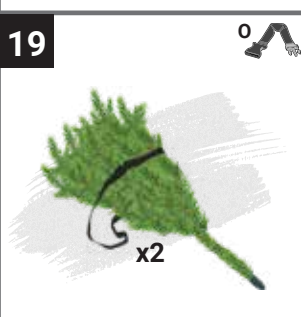
Install the second pole in the same way on the other side.



Before loading your tree, secure the inner compression straps to the outside of the bag so they don't fall in when inserting the tree. Do this by using the Velcro patches located on the exterior of the bag and on the ends of the straps.



Use the two included tree compression straps to compress the two largest sections of your tree to more easily fit into the bag.

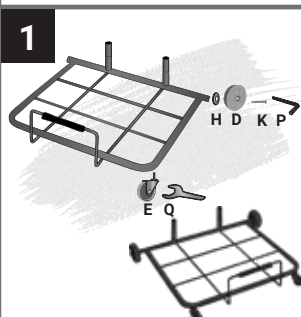
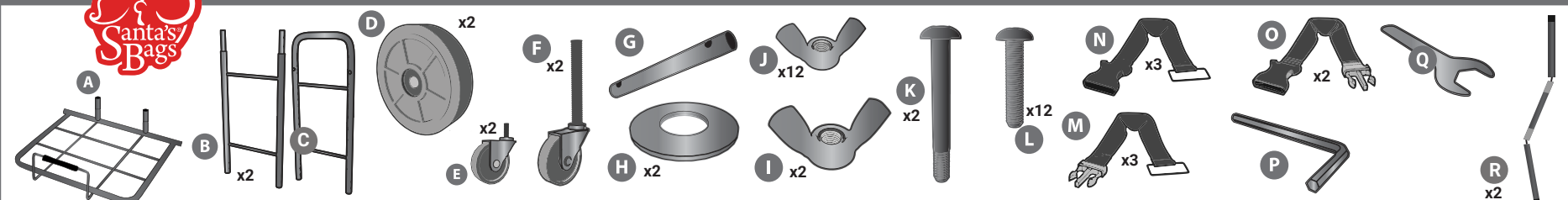


Use the two included tree compression straps to compress the two largest sections of your tree to more easily fit into the bag.

Expand the top section for larger trees.



Need more help? Scan here to watch instructional videos.



Install the two large wheels (Part D) onto the rear axle of the base. Install the two locking swivel wheels (Part E) onto the front of the base. Use the wrench tool to tighten.



Lay out the bag as shown.



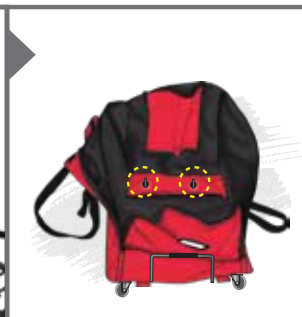
Unfold the bag exposing the top zipper panel with the ID Card Holder, then unzip and open.



Open the bag and locate the two metal grommets that are near the bottom of the bag that attaches to the base of the frame.



Lift up the bottom of the bag, roll the base under it, and place the bag on top of the base. Line up the vertical base tubes with the two metal Grommets from step 4.



Install the bottom frame (Part B) onto the base and secure with 4 bolts and wing nuts.



Install the remaining frames (Parts B and C) and hardware.



Pull the bag up and over the frame. Locate the Velcro flap at the top of the inside of the bag and secure it to the frame.



Fasten the internal bag Velcro straps around the frame.



Install the Handle (Part G) by lining up the bag grommets with the holes in the vertical frame. With one hand, push the Wheel (Part F) and handle through the bag and frame and secure the wing nut (Part I) onto the bolt with the other hand inside the bag. Repeat on the other side of the handle.