

TWO TRAY ORNAMENT STORAGE

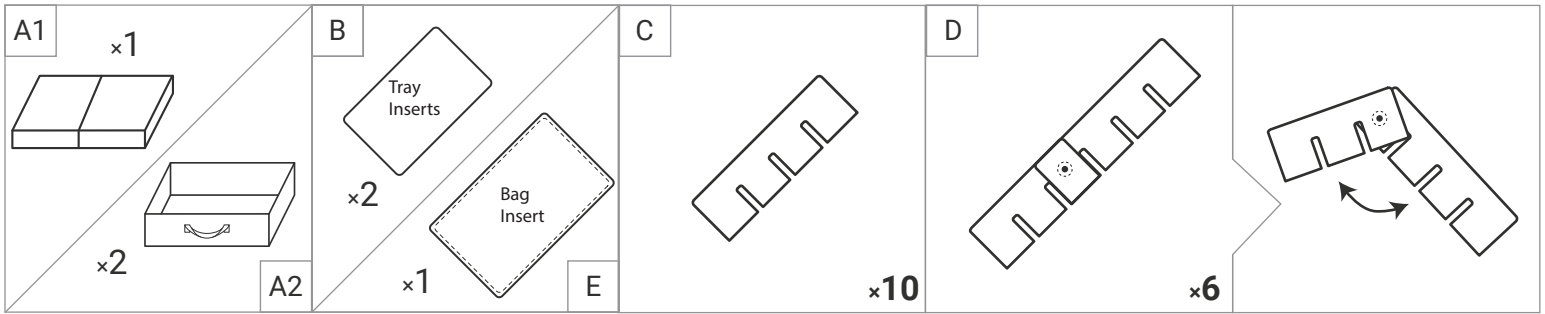
MODEL #: SB-10453

IMPORTANT, RETAIN FOR FUTURE REFERENCE: READ CAREFULLY

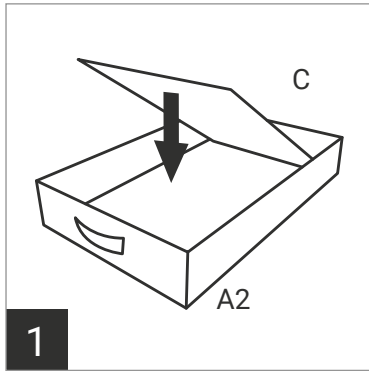
For assistance with assembly, replacement parts or to activate your warranty:
www.SantasBags.com | Support@VillageLighting.com

2022 All Rights Reserved © Property of Village Lighting Co. | Intended for indoor use

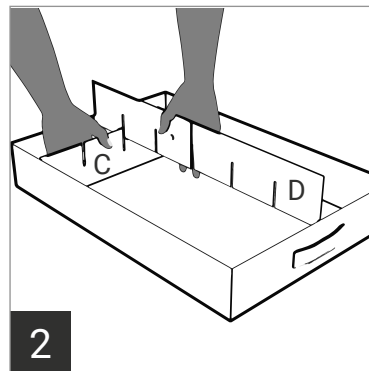
PLEASE LAY OUT ALL PARTS AND READ INSTRUCTIONS PRIOR TO ASSEMBLY



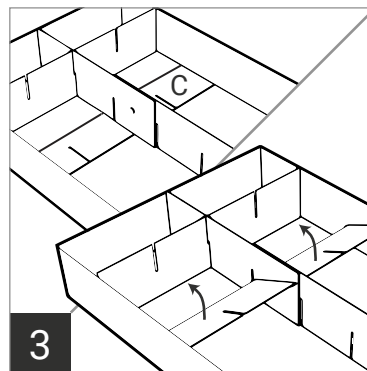
ASSEMBLY INSTRUCTIONS



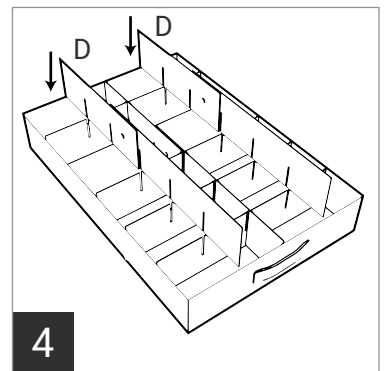
1 Insert the two bases (Part C) into each of the two trays (Part B).



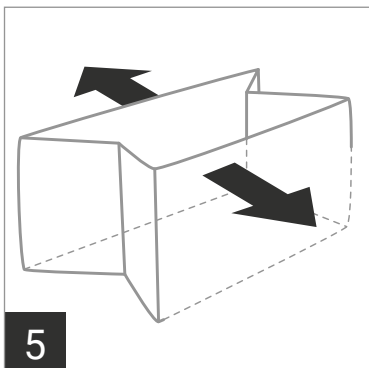
2 Set up the first Part C and D in the tray as shown.



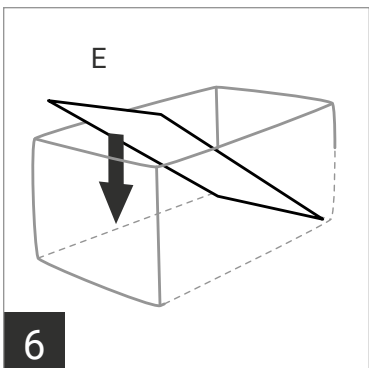
3 Slide another Part C under Part D, then tilt it up into position. You will have to slightly lift the long divider (D) to position the short dividers (C) completely into place. Repeat this process for the remaining short dividers.



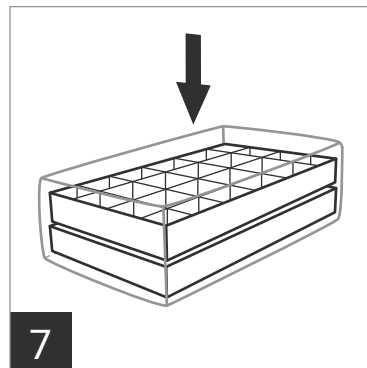
4 Insert the remaining Long Dividers. Repeat this for all remaining dividers for each tray.



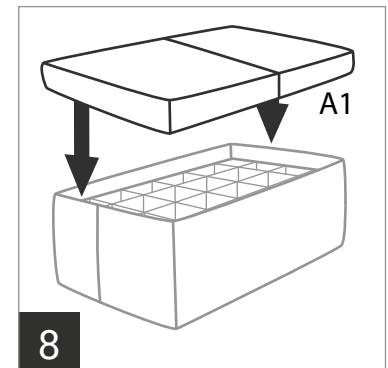
5 Unfold the main outer bag.



6 Insert the large base board (Part E) into the bottom of the main outer bag.



7 Place the trays stacked inside of the main outer bag.



8 Place the lid on top of the main outer bag.