

V 02093

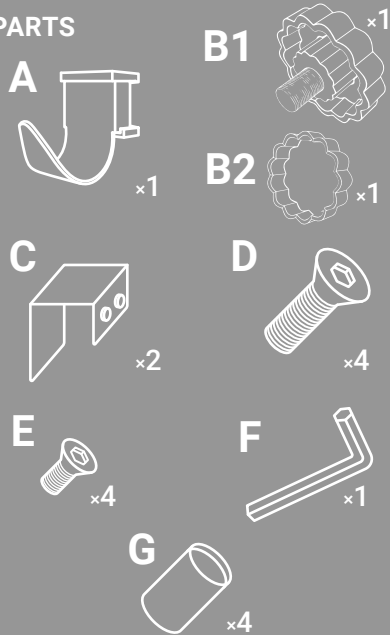


www.VillageLighting.com

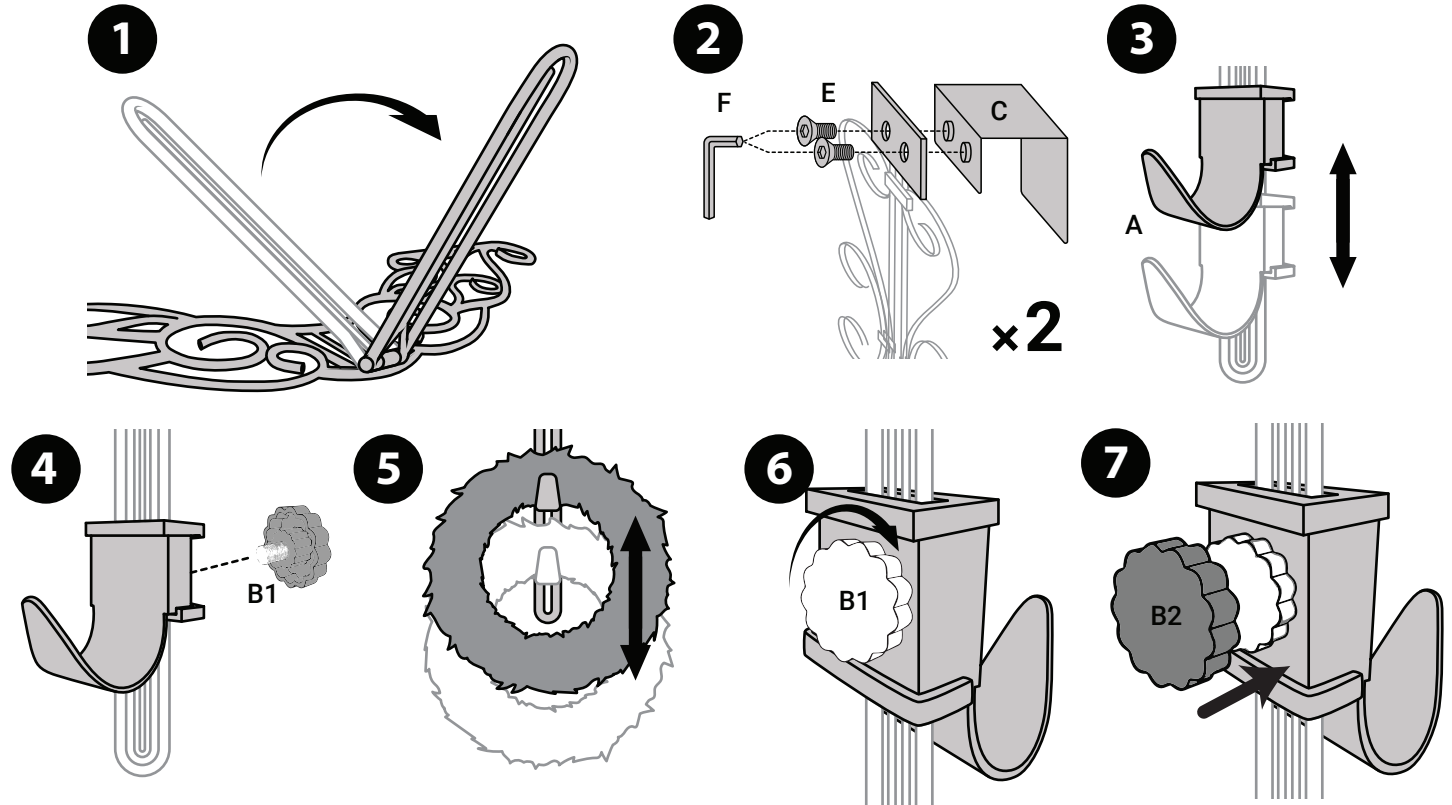
IVY WREATH HANGER

MODEL #: V-10958 SERIES

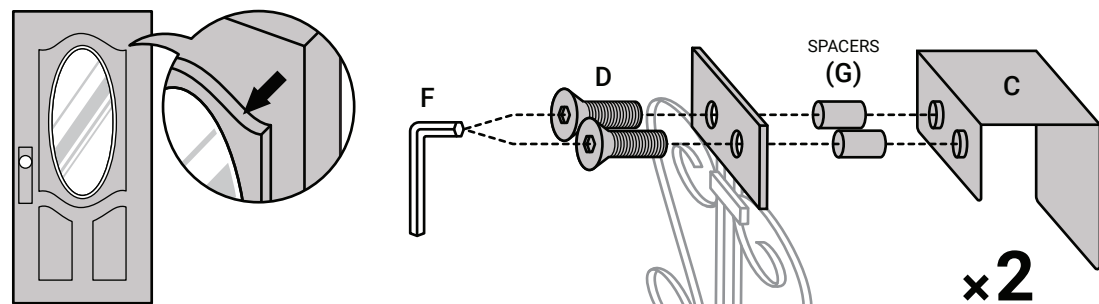
PARTS



STANDARD ASSEMBLY (WITHOUT BRACKET SPACERS)



FOR DOORS WITH RAISED GLASS OR OTHER FEATURES



SCAN HERE FOR VIDEOS & PRODUCT SUPPORT



**DOOR THICKER THAN 2 INCHES?
NEED THINNER BRACKETS TO FIT BETWEEN THE DOOR AND DOOR JAMB?**

CONTACT US! We will send you a new bracket set immediately.
VillageLighting.com/help | support@villagelighting.com | 801-972-5119