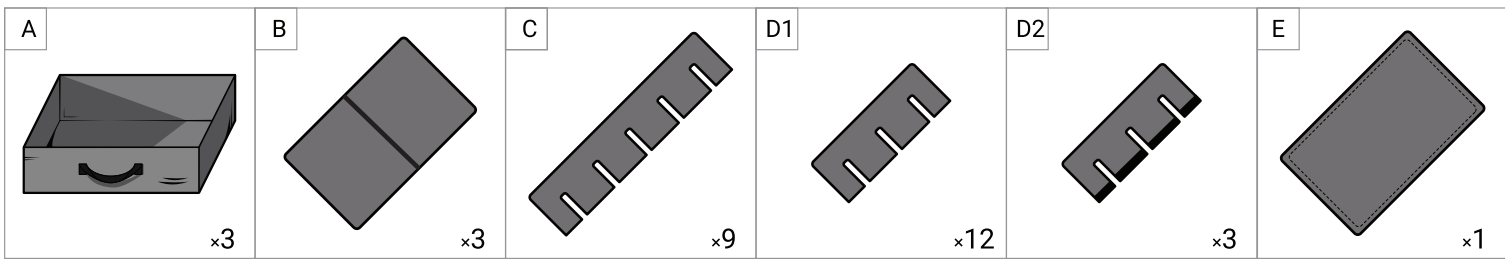


Three Tray OrnamentKeeper™

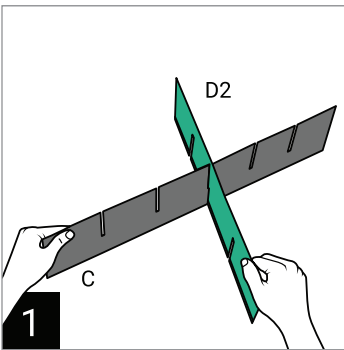
Model No. TK-10127 | Assembly Instructions



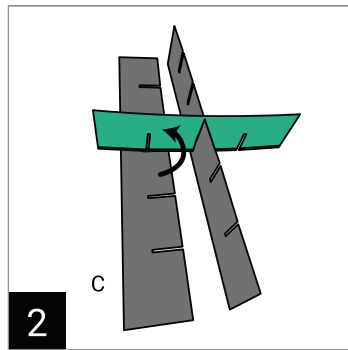
TREEKEEPER™
WWW.TREEKEEPERBAGS.COM



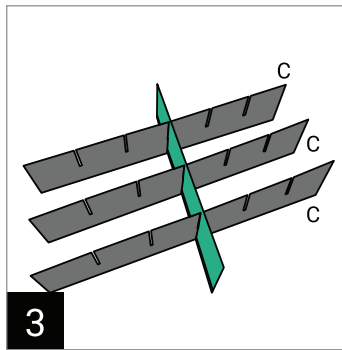
How to assemble your ornament storage bag



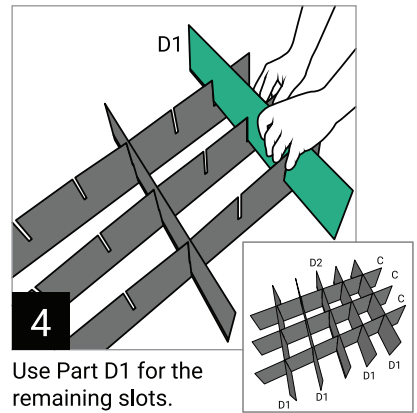
1 Insert part D2 into the center slot of part C. (Note: D2 has a velcro strip along the bottom that will fasten to the bottom of Part B.)



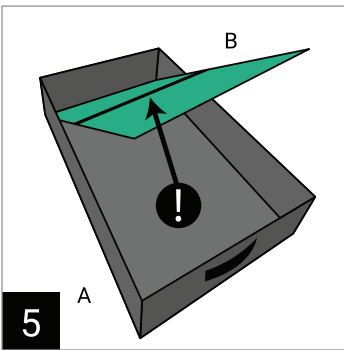
2 Slide another Part C under Part D2, then rotate up.



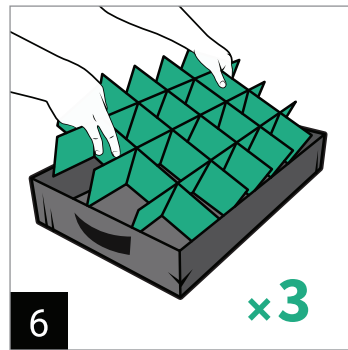
3 Repeat for all three long dividers (Part C)



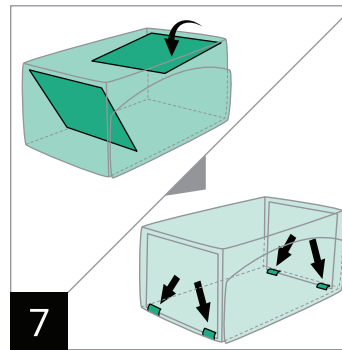
4 Use Part D1 for the remaining slots.



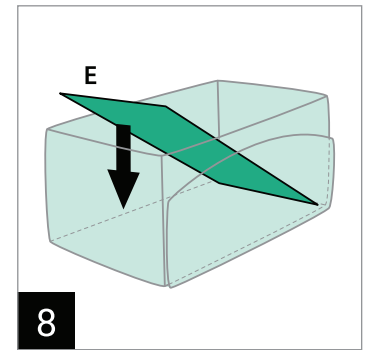
5 Insert Part B into the tray. Insure the Velcro Strip is facing up.



6 Insert the divider assembly. Insure velcro on Part D2 fastens to velcro strip on part B.



7 Fold down Bag's Side Frames and secure inner with the four velcro straps.



8 Insert part E into the base of the bag.