



TWO TRAY ORNAMENT STORAGE BAG

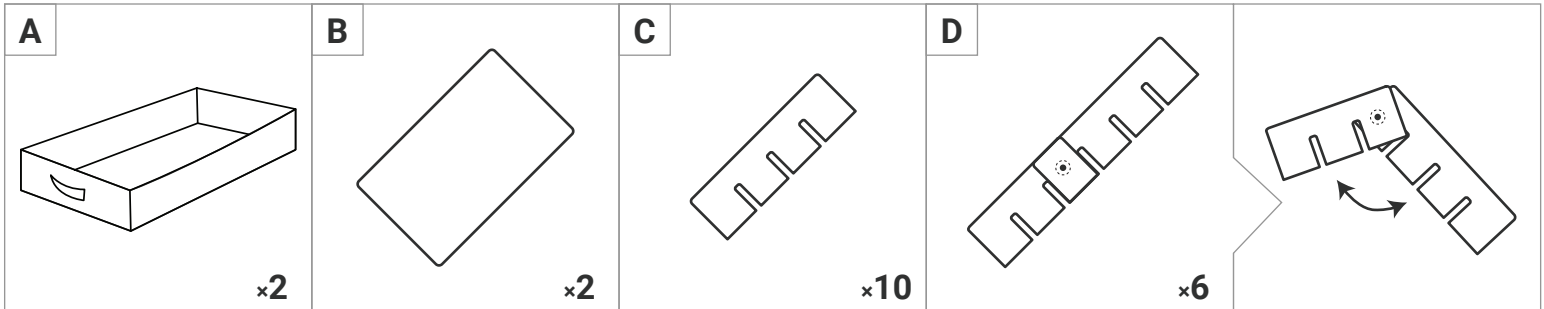
MODEL # SB-10188

IMPORTANT, RETAIN FOR FUTURE REFERENCE:
READ CAREFULLY
Intended for indoor use

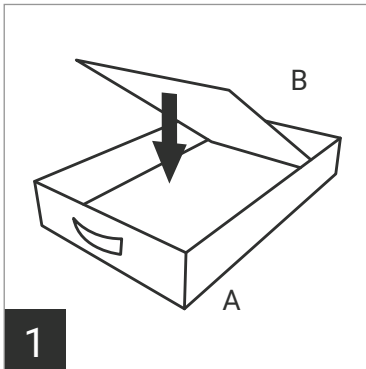
For assistance with assembly, replacement parts or to activate your warranty:

WWW.SANTASBAGS.COM | SUPPORT@SANTASBAGS.COM

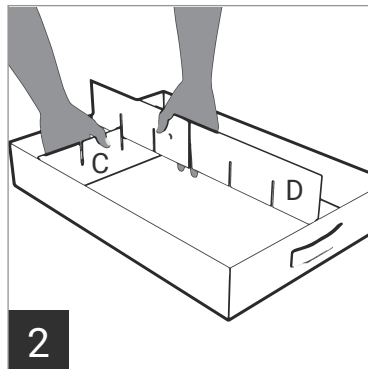
Please lay out all parts and read instructions prior to assembly



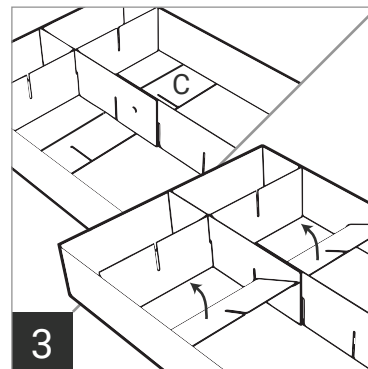
ASSEMBLY INSTRUCTIONS



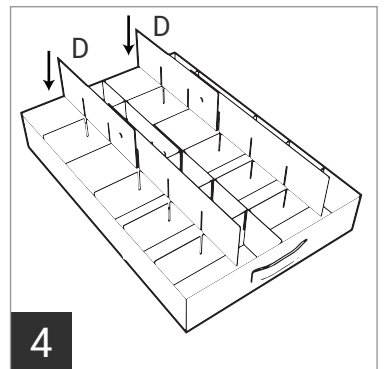
1 Insert the two bases (Part B) into each of the two trays (Part A).



2 Set up the first Part C and D in the tray as shown.



3 Slide another Part C under Part D, then tilt it up into position. You will have to slightly lift the long divider (D) to position the short dividers (C) completely into place. Repeat this process for the remaining short dividers.



4 Insert the remaining Long Dividers. Repeat this for all remaining dividers for each tray.