



# THREE TRAY ORNAMENT STORAGE BAG

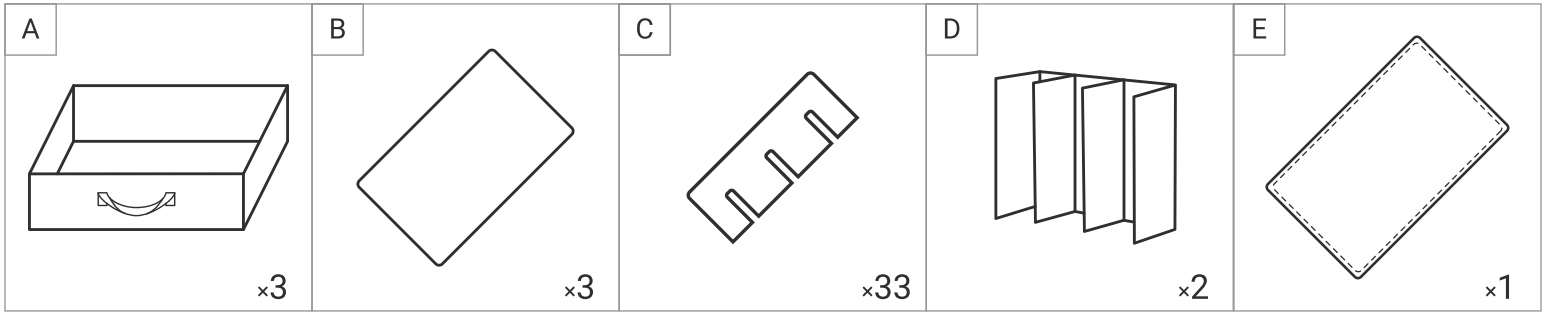
MODEL #: SB-10152

**IMPORTANT, RETAIN FOR FUTURE REFERENCE: READ CAREFULLY**

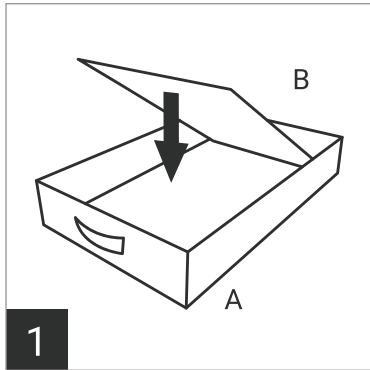
For assistance with assembly, replacement parts or to activate your warranty:  
www.SantasBags.com | Support@VillageLighting.com

2019 All Rights Reserved © Property of Village Lighting Co. | Intended for indoor use

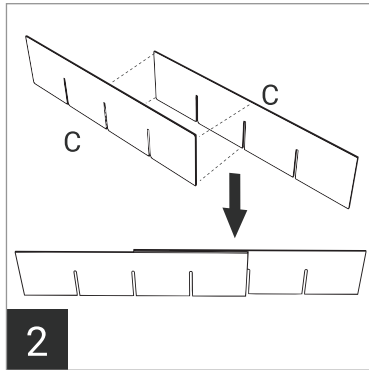
## PLEASE LAY OUT ALL PARTS AND READ INSTRUCTIONS PRIOR TO ASSEMBLY



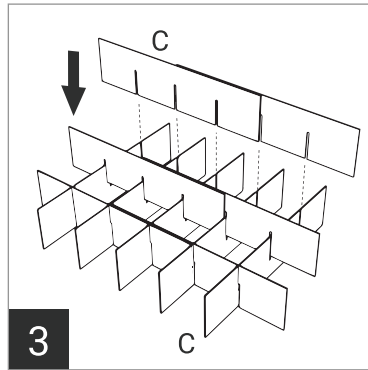
## ASSEMBLY INSTRUCTIONS



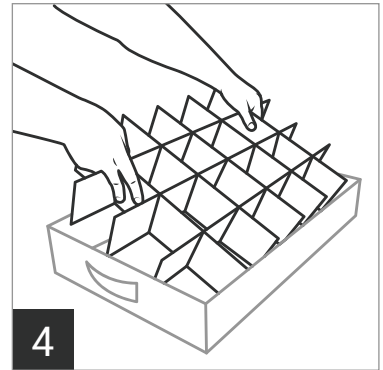
Insert the three bases (Part B) into each of three trays (Part A).



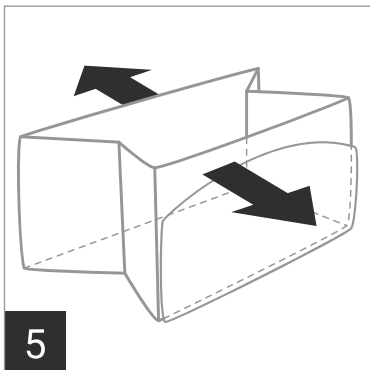
Overlap the first notch in two dividers (Part C) to create longer vertical dividers.



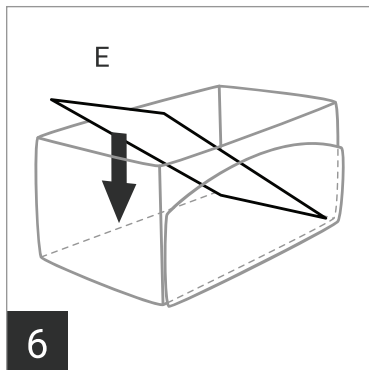
Assemble all dividers, using the three longer dividers made in step 2 as the long vertical dividers.



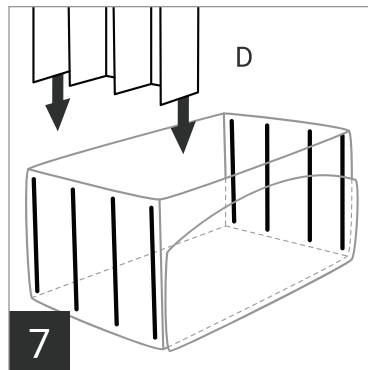
Place the three completed grids of dividers into each of the three trays.



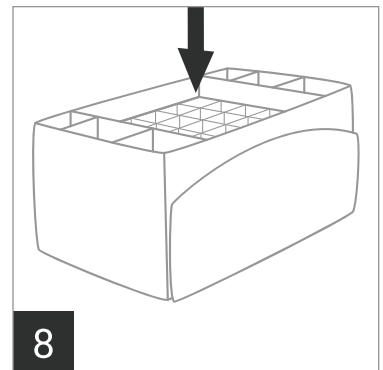
Unfold the main outer bag.



Insert the large base board (Part E) into the bottom of the main outer bag.



Slide the long compartment separators (Part D) into each side of the main outer bag.



Place the three trays into the main outer bag.